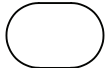
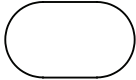


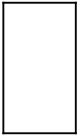
9090



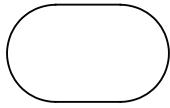
9075



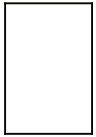
9076



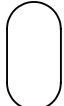
9091



9077



9092



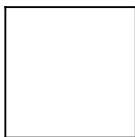
9088



9093



9089



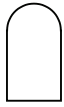
9094



9096



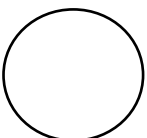
9095



9097



9098



9086

Installing with Optional Demister(9087)

Please read these instructions carefully before installation.
Installation should be carried out by a qualified electrician.

GENERAL

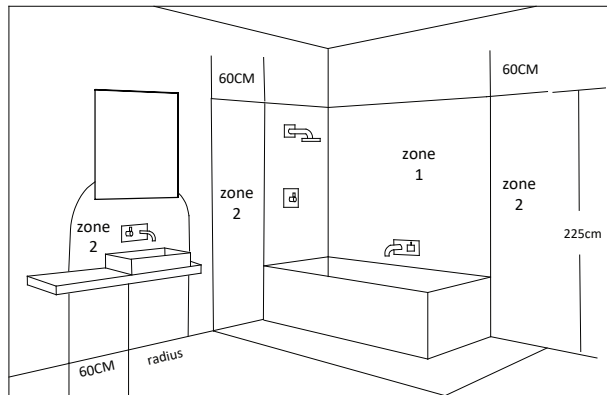
- THIS PRODUCT CONFORMS TO AS/NZS SAFETY STANDARDS AND MUST BE INSTALLED IN ACCORDANCE WITH CURRENT IEE WIRING REGULATIONS AND BUILDING REGULATIONS (PART P). THIS PRODUCT MUST BE EARTHED, AND SHOULD NOT BE CONNECTED TO AN UNEARTHED CIRCUIT.
- IF THERE ARE ONLY TWO WIRES COMING FROM YOUR POWER SUPPLY IT MEANS THAT THIS FITTING CAN BE WIRED TO AN UNEARTHED CIRCUIT.
- ENSURE THAT CONNECTIONS ARE TURNED OFF AT THE CONSUMER UNIT OR FUSE BOARD BEFORE INSTALLING OR CARRYING OUT ANY MAINTENANCE.
- THIS PRODUCT IS FOR IN DOOR USE ONLY.
- THIS PRODUCT IS IP44 RATED AND CAN BE INSTALLED IN BATHROOM ZONE 2 (AS DEFINED BY THE IEE WIRING REGULATIONS) AND BEYOND. SEE BATHROOM DIAGRAM BELOW.

Do NOT strike mirror glass with hard or pointed items. It is recommended that the product is cleaned with a soft, dry, non abrasive cloth. Do NOT use cleaning agents or abrasive materials on any type of finished surface. Do NOT allow moisture to come into contact with the electrical components.

Compliance

This product complies with the following safety standards:
AS/NZS 60598.1: 2017 and AS/NZS 60598.2.1: 2014 + A1: 2016

IEE Bathroom Zones Diagram



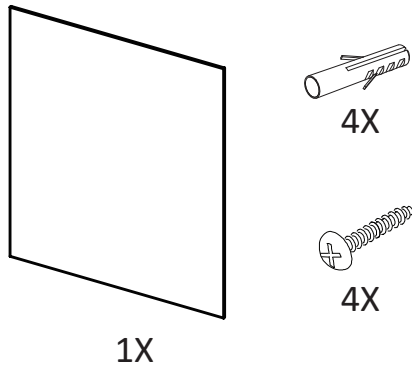
OUTSIDE ZONES

IMPORTANT

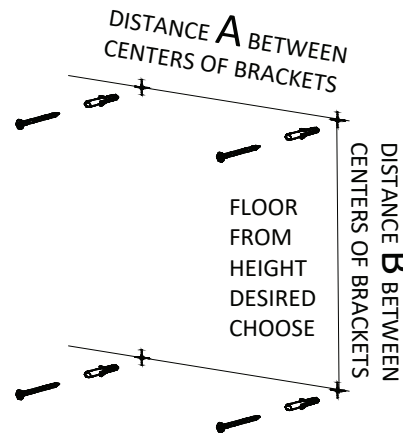
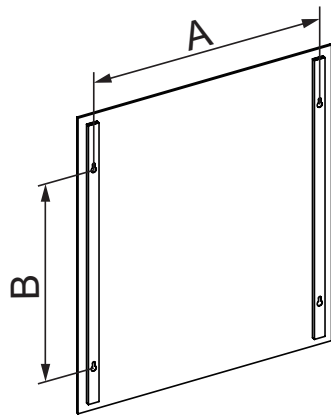
- When working at heights, please use a suitable platform to work from.
- Please note: For new installations, check for any electrical cables or pipe work (gas/water) in the vicinity of the intended mounting point before proceeding with the installation.
- Ensure that the fixing location is able to take the weight of the complete fitting.
Wear suitable eye protection when drilling. Be careful when using power tools near water.

Installation procedure

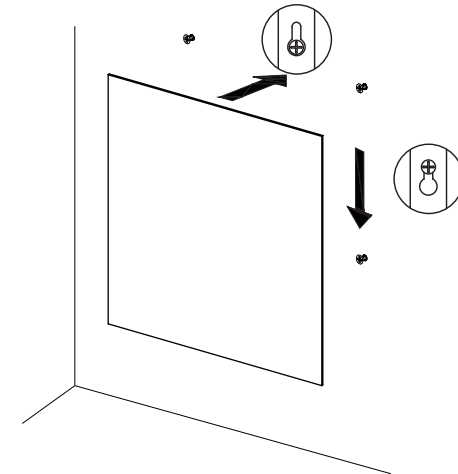
1. Open the carton and make sure all the parts listed below are present



2. Mark a desired height of the mirror. Drill the required holes and insert the wall plugs.
Note: Wall plugs supplied are only suitable for solid stone/brick walls. Please ensure the screws are fully tight. The mirror can be mounted either portrait or landscape.



3. Hang the mirror onto the wall.



Code	A mm	B mm
9090	345	670
9091	445	670
9092	545	670
9093	695	670
9094	845	670
9095	1145	670
9075	475(Landscape) 475(Portrait)	310(Landscape) 260(Portrait)
9076	700	410
9077	1000	510
9086	515	270
9088	375	310
9089	475	410
9096	275	410
9097	375	410
9098	475	510