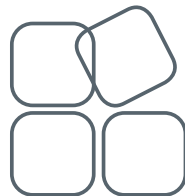


# Milazzo Installation & Fixing Guide



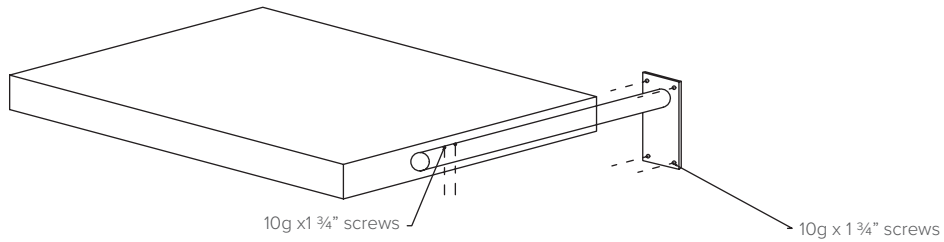
**MILAZZO**

MODULAR BATHROOM SYSTEM

*by Newtech*

### FIXING SHELF AND SLAB TOP BRACKETS

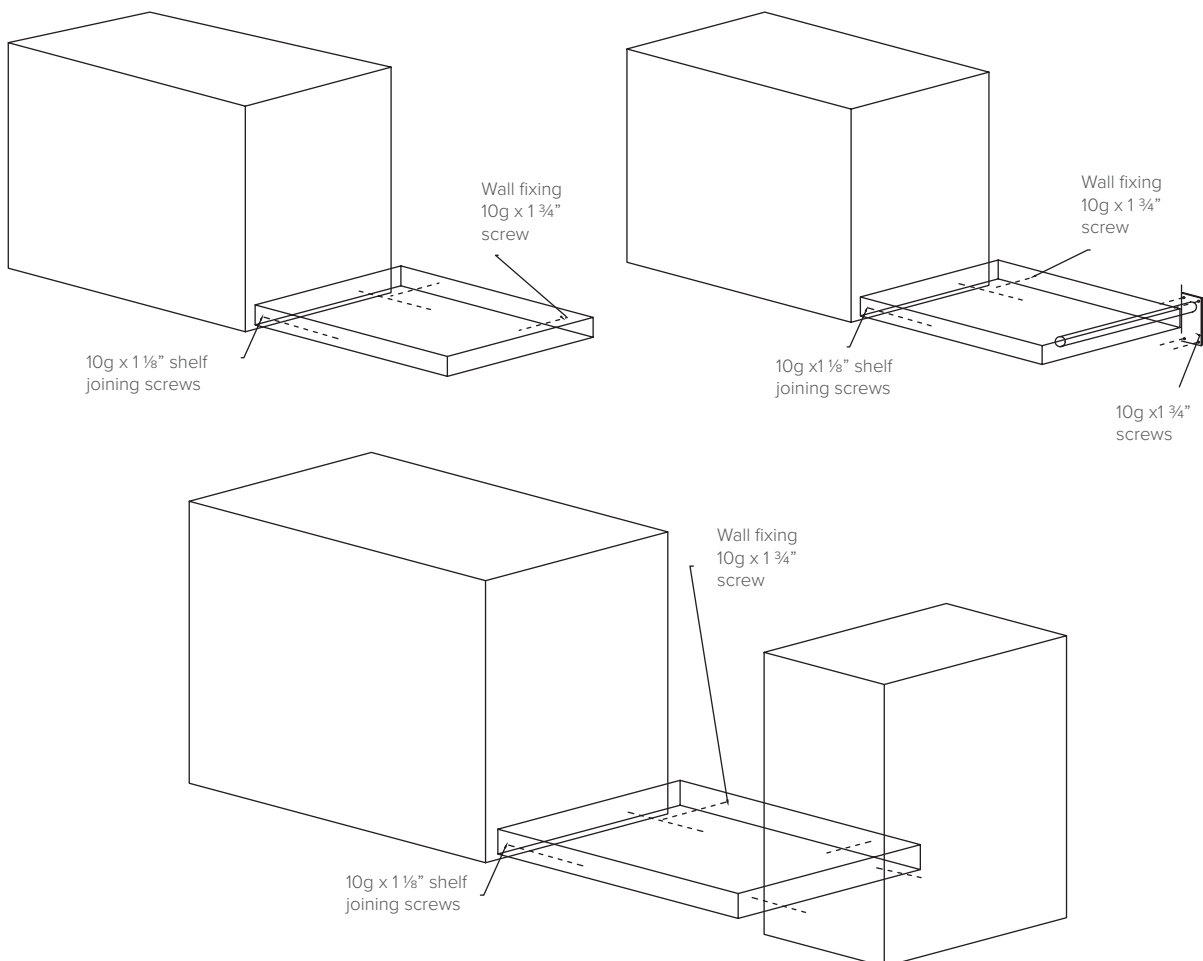
Milazzo shelf and timber slab top brackets are to be fixed to a double stud at the pre-line stage of the build.



→ Milazzo shelf and timber slab top brackets are to be used on spans larger than 500mm spaced at a max of every 500mm.

### FIXING SHELF AND SLAB TOP TO THE WALL

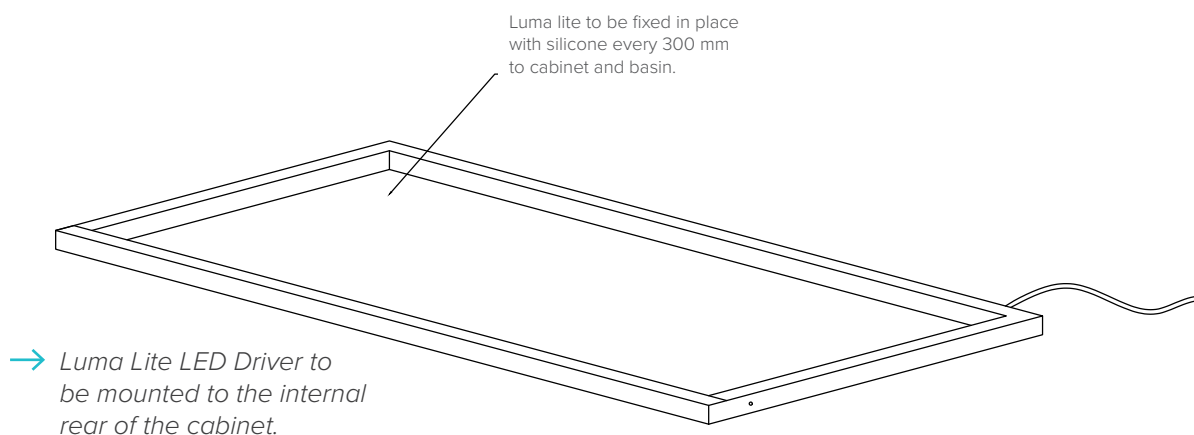
Shelf and timber slab top brackets are to be screwed to the wall with 10g x 1 3/4" screws and screwed to the shelf/slab top with 10g x 1 1/4" screws.



→ Milazzo shelf and timber slab top brackets are to be used on spans larger than 500mm spaced at a max of every 500mm.

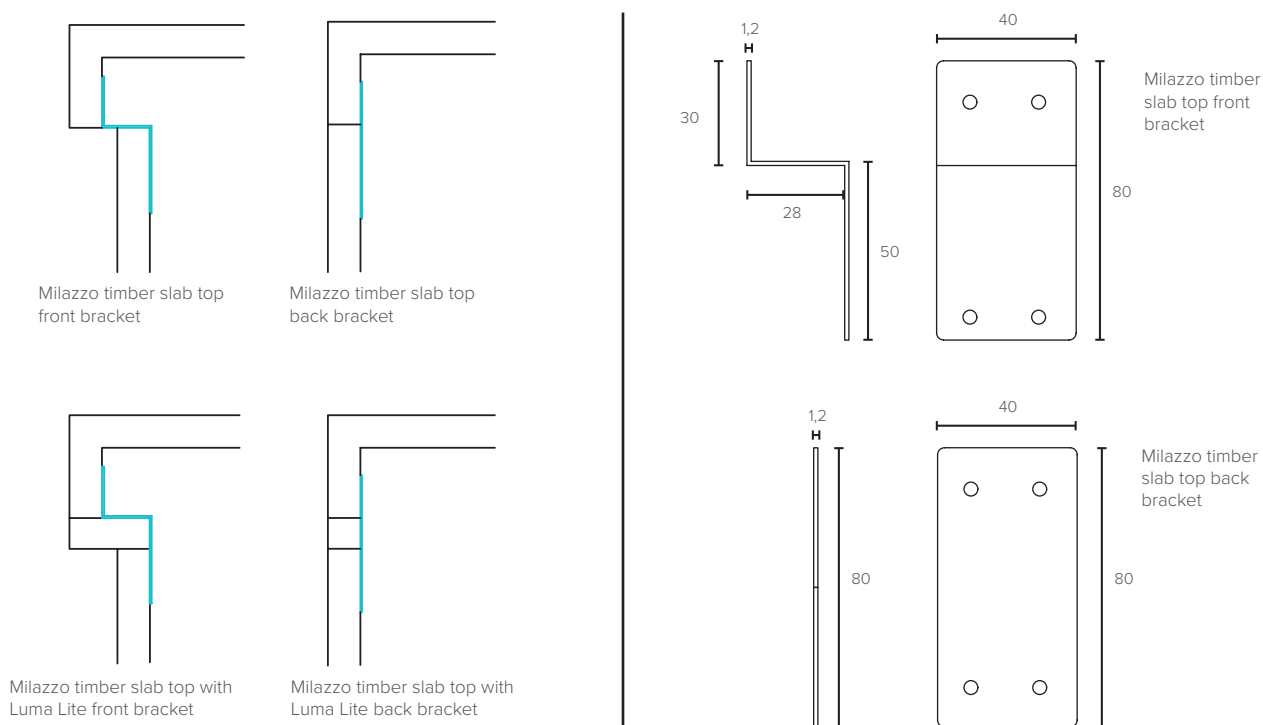
**Important:** Maximum timber slab top overhang without support is 300mm.

### INSTALLING LUMA-LITE



### FIXING SLAB TOPS TO CABINETY

Timber slab top is to be fixed to cabinetry with front and back brackets.



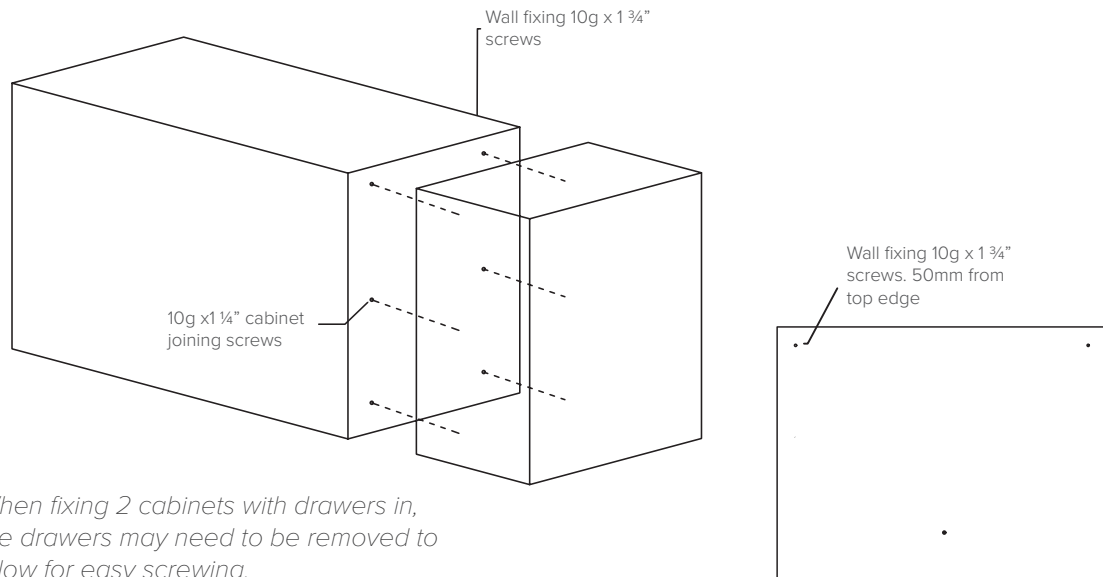
**Important:** Maximum StoneCast and Quartz slab top overhang without support is 300mm.

### FIXING SLAB TOPS TO CABINETY WITH SILICONE

Quartz and StoneCast slab tops are to be fixed to cabinetry with silicone approximately every 300mm.

**FIXING CABINETRY TOGETHER**

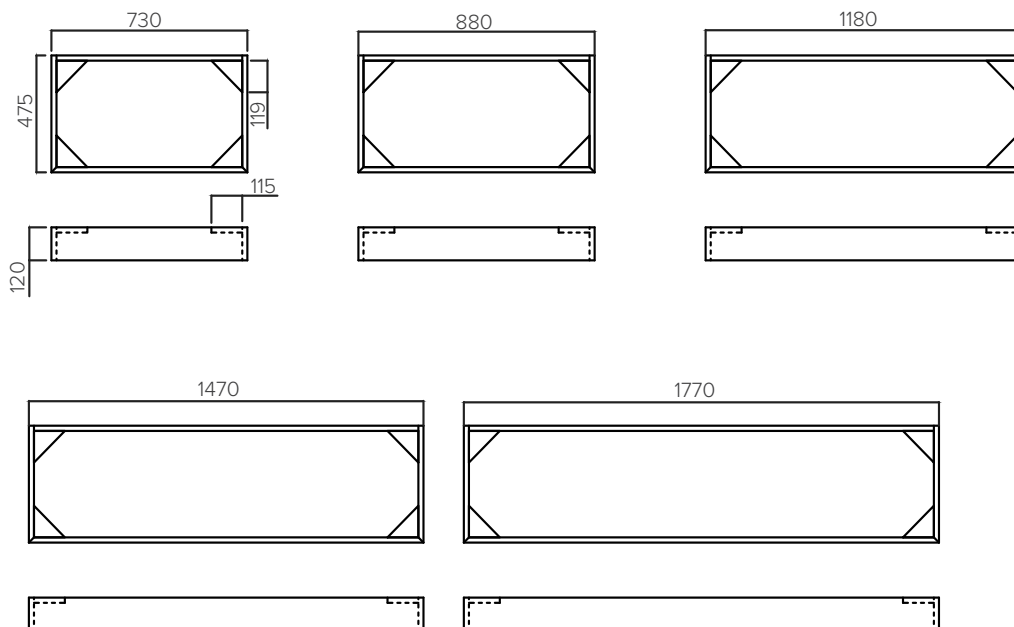
Cabinets are to be screwed together with 10g x 1 ¼” screws.



→ When fixing 2 cabinets with drawers in, the drawers may need to be removed to allow for easy screwing.

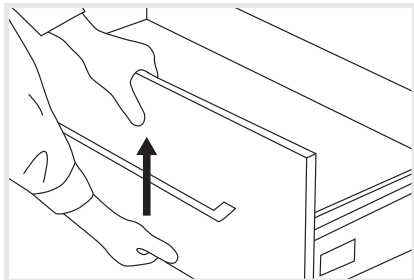
**CONNECTING TOE KICK PLINTH TO CABINETRY**

Toe kick plinth is to be connected to cabinetry with concealed angle brackets.



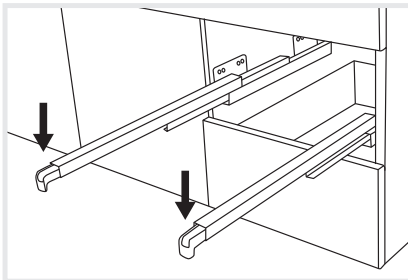
**DRAWER REMOVAL & LEVELING CABINETRY**

REMOVING DRAWER

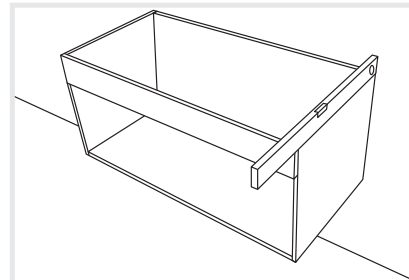


Open the drawer fully. Place your hands centrally on the top and bottom of the draw front. With a swift motion, pull the drawer directly upwards. This will pop the drawer out of its runners.

INSERTING DRAWERS



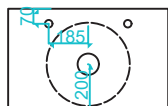
Place the drawer back onto the runners. Place one hand towards the back of the drawer and apply a small amount of weight downwards. With the other hand squeeze the grey tab on both the left and right side towards the drawer front until you hear a "click". To ensure correct installation check that the rear of the drawer does not lift upwards.



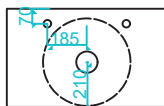
**LEVEL THE VANITY**

Note: Floor standing vanities should likewise, be checked for sitting level, plumb and square and suitably packed to achieve this. Fix to the wall to secure through mounting brackets on the back rail.

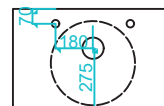
**MILAZZO TAP HOLE CONFIGURATION**



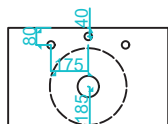
CORAL RIDGE ROUND



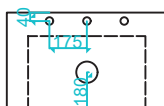
QUARTO ROUND 410



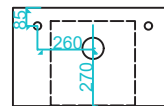
MAYA ROUND



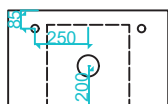
CORAL DIAMOND ROUND



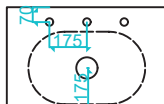
TONI RECTANGULAR



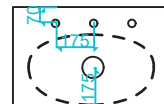
MAYA SQUARE



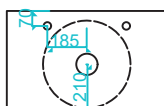
CORAL RIDGE SQUARE



TONI OVAL



WASHINGTON



TONI ROUND



HARPER

**NOTE**

- Cabinet configuration may affect plumbing options and layout for your basins.
- Some basin locations may not be possible with some cabinet configurations.
- Please consult with Newtech and your plumber to ensure your plumbing configuration is correct for your cabinetry configuration.

**CONTACT AND WARRANTY INFORMATION**

Newtech  
 Phone: 0800 728 662  
 sales@newtech.co.nz  
 www.newtech.co.nz



For warranty information, please visit our website.