



EVOKE TAPWARE RANGE

INSTALLATION, PRODUCT CARE & WARRANTY

WALL MOUNTED SHOWER KIT
(Elbow and Holder, Handpiece and Hose) - ET6134



Thank you for purchasing Newtech Tapware.

Your Newtech Tapware has been crafted using high quality durable stainless steel and will have a long lasting and productive life, provided it is used in accordance with manufacturers general conditions.

Your Newtech Tapware must be installed by a registered plumber.

CARE OF YOUR NEWTECH TAPWARE

To clean, use water with a soft damp cloth. Any harsh scrubbing or scratching of the product surface is strictly prohibited, same to the use of any cleaning products which contain acid or any corrosive agents.

WARRANTY

For all warranty information please refer to www.newtech.co.nz/warranty.

INSTALLATION

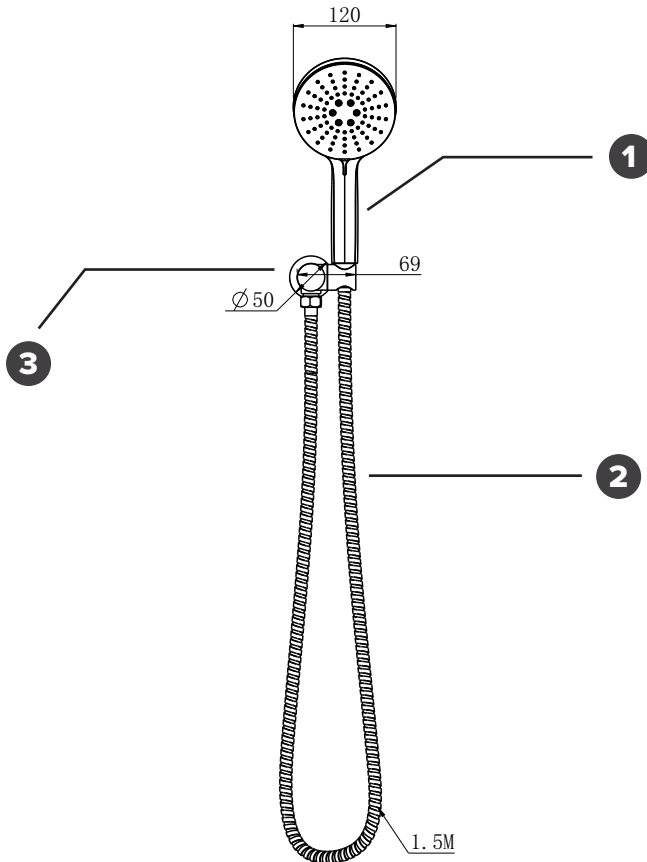
For pressure exceeding 5 bar/500kPa, install a pressure reducing valve. If a system is required to be pressure tested the water supply to the mixer must be capped off prior to testing. If a mixer has been subjected to pressures over 5 bar/500kPa then a new cartridge must be installed, at the installers/owners expense for warranty to be valid.

Thoroughly flush all pipes to eliminate any remaining dirt and residue and install inline filters and ensure water temperature does not exceed 65°C and pressure does not exceed 5 bar/500kPa. Turn off water supply before installation and check for leaks after every installation. Failure to do so may void warranty.

CONTACT US

Phone 0800 728 662 Email sales@newtech.co.nz

INSTALLATION INSTRUCTIONS



No.	Part Name
1	Shower Headpiece
2	Hose
3	Water outlet elbow and handheld showerhead holder

INSTALLATION INSTRUCTIONS

IMPORTANT NOTE: Before starting installation of your shower kit, turn off the water supply. Take care during installation to ensure the connecting threads do not damage the flow controllers.

No.	Instruction
1	Drill holes on the wall according to the size of the fixed holes, on the Elbow water outlet holder.
3	Apply teflon tape around the thread of the water pipe then fix the water outlet nozzle to the water pipe.
4	Install the hose and hand held shower head.
5	Turn on mains supply and check for any leaks.

TECHNICAL SPECIFICATIONS

Suitable for mains pressure only

Minimum Pressure = 150kPa

Maximum Operating Pressure = 500kPa (As per NZ Building Code AS/NZ 3500.1)

Maximum Operating Temperature = 65°C

Minimum bend for flexible hose is 35mm radius. Do not twist, stretch or crush the hoses.

For Domestic use only