

CASALINO TOILET

Odourless by Expella

INSTRUCTION MANUAL



TABLE OF CONTENTS

Product contents	3
Electrical	4
Installation	5
Troubleshooting	12

PRODUCT OVERVIEW

The Casalino Odourless by Expella toilet combines award winning Odourless technology with the elegant and timeless design of the Newtech Casalino toilet suite.

BEFORE INSTALLATION

The Odourless by Expella kit and Casalino toilet must be installed by a qualified plumber in accordance with AS/NZS 3500.

LIMITATIONS

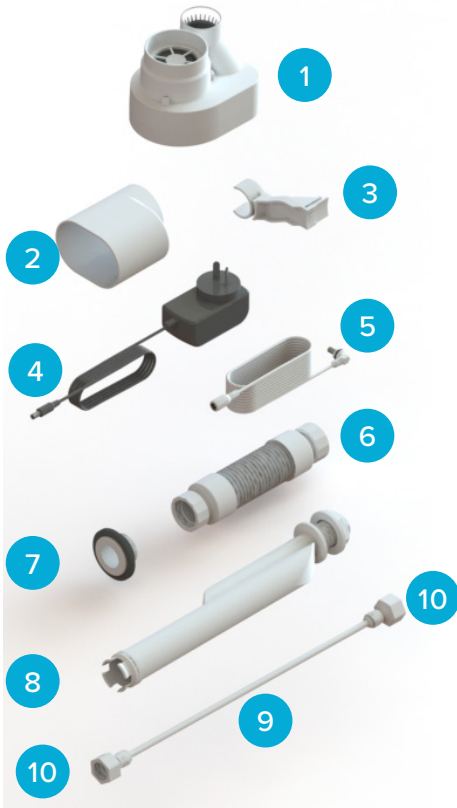
Maximum number of odourless toilets per stack is given below:

Size of Stack, DN	Max number of OCD's per stack
100	73
150	242

PRODUCT CONTENTS

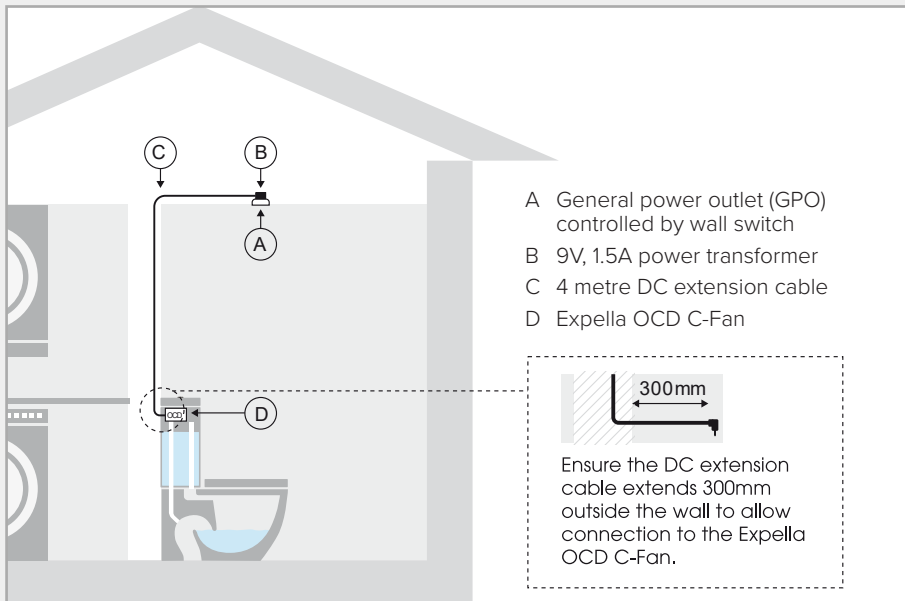
1	Expella OCD (C Fan)
2	Odour trap
3	Inlet valve bracket
4	9V, 1.5A Transformer
5	4m DC extension cable

6	Flexi hose
7	T-lock & rubber grommet
8	Odour Pipe with O ring nut and adaptor
9	¼" Inlet water tube
10	½"- ¼"fitting (x2)



ELECTRICAL

Odourless by Expella requires electrical power for the fan located in the toilet cistern.



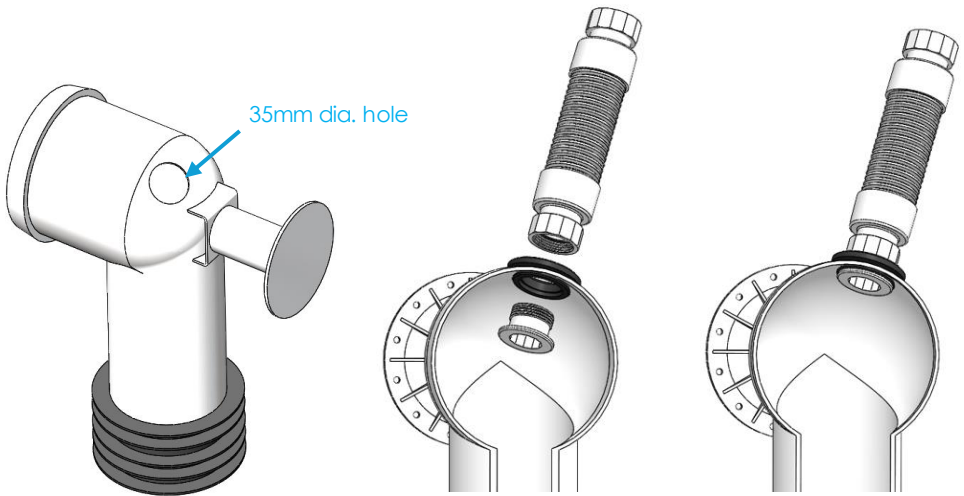
Have a qualified electrician install a GPO within 3.5 meters of cable length to the toilet. To activate the Casalino Odour Control Device, use either Expella PIR motion Sensor (Supplied separately) or a wall switch. The location of the GPO should allow future access to the 9VDC power transformer.

Route the 4m extension cable between the back of the cistern and the GPO location. The 4m extension cable should exit the wall such that it aligns with the cut-out in the rear of the cistern, just above the back inlet tap. The cable should extend 300mm from the wall.

INSTALLATION

Step 1

Install pan connector and flexi hose



The Casalino Toilet will come supplied with a Standard S-Connector (Code: 7999 - Drilled for Casalino Odourless Upgrade).

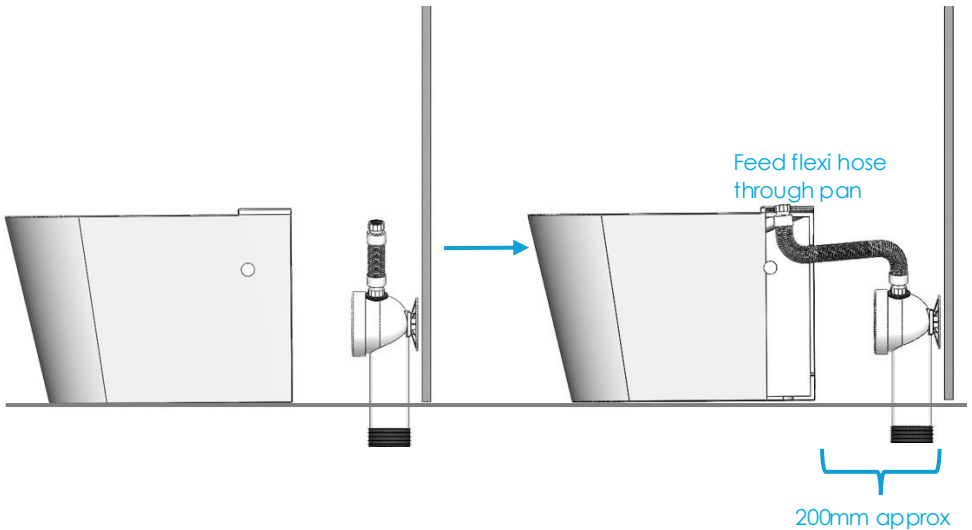
Apply some lubricant to the 35mm pan connector hole and grommet. Fit the rubber grommet into the hole then fit the T-lock from inside the pan connector.

Screw flexible hose (Item 6) onto T-lock.
For P-Trap, drill a 35mm hole in the top of the PVC waste pipe in a similar hole location as the provided pan connector.

(Note: Pan connector may vary in appearance.)

INSTALLATION (cont.)

Step 2: Install pan



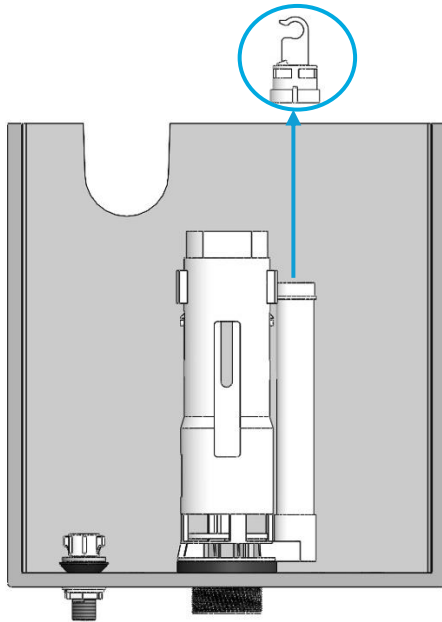
Move the pan approximately 20cm off the wall from its installed location. Feed the odourless flexi-pipe through the right-hand side of the pan, below where the cistern sits.

Push the pan against the wall ensuring the pan connector joins on to the pan spigot. Bucket flush and check for leaks. If water leaks from the pan base, the pan connector hasn't sealed properly and will need adjustment.

INSTALLATION (cont.)

Step 3:

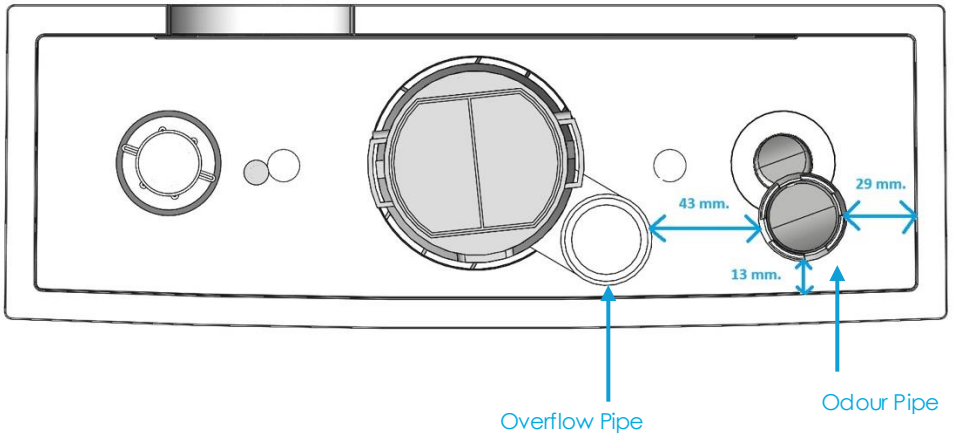
Remove existing inlet valve clip from overflow pipe.



INSTALLATION (cont.)

Step 4:

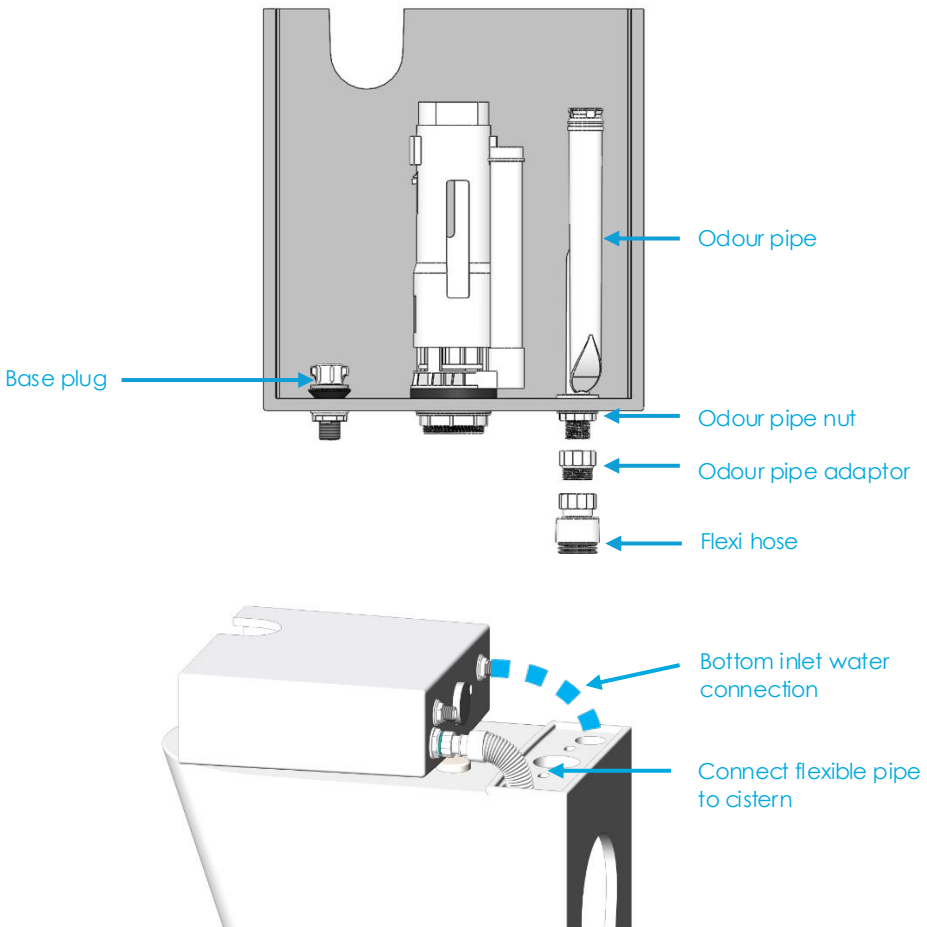
Install Cistern components. Check internal assembly as per below. The position of the Odour pipe (right) and overflow pipe is critical.



INSTALLATION (cont.)

Step 5:

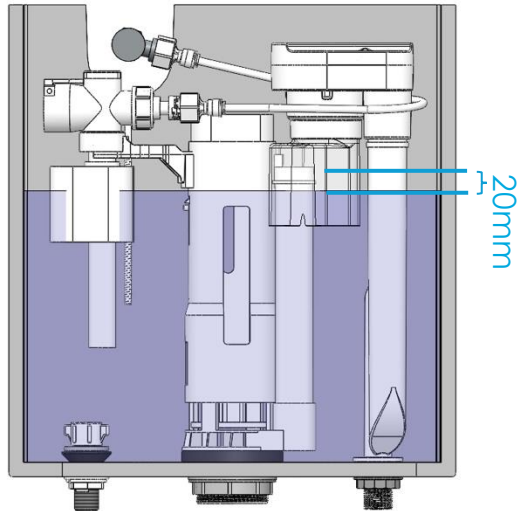
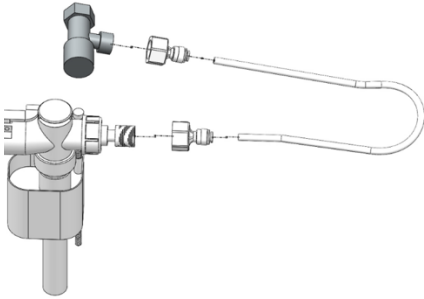
Ensure base plug, flush valve and Odour pipe have necessary rubber washers and are screwed tight to prevent leaking.



INSTALLATION (cont.)

Step 7:

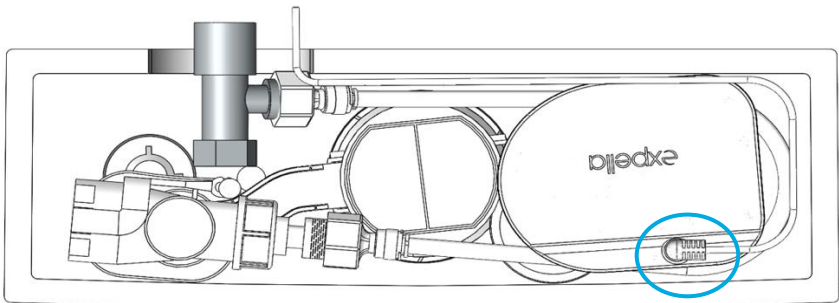
Water connection. Connect ½” - ¼” fitting to mini cock (tap). Cut ¼” tube to length and then connect tube to inlet valve using ½” - ¼” fitting.



Step 8:

Connect power to C-fan

ENSURE WATER LEVEL IS 20mm BELOW TOP OF OVERFLOW PIPE



TROUBLESHOOTING

Problem	Issue	Resolution
Odour not evacuating after installation	Fan not running	Check mains power supply is present at the transformer.
	Overflow pipe height is incorrect and/or fill level is incorrect	Check cistern fill level is at 4.5L mark.
	Flexible hose isn't connected to waste pipe	Pull toilet forward and reconnect.
	Valve stuck open	Unclip fan. Holding in the correct orientation, give the fan a shake up and down. The valve should open and close. Check for obstructions.
Water running into pan or gurgling sound is audible	Fill level is incorrect	Check cistern fill level is at 4.5L mark.
Sewer odour is present	Pan connector is not installed properly	Pull toilet forward and repeat installation of pan connector.
	Flexible hose is not connected to waste pipe	Pull toilet forward and reconnect.
Odour not evacuating after duration of normal use	Fan not running	Check mains power supply is present at the transformer.
		Faulty power transformer – requires replacement
		Faulty fan – requires replacement

WARRANTY

3 year warranty from date of purchase. Proof of purchase required. Deviation from assembly instructions may void the product warranty.

CONTACT

Newtech Bathroomware
 30 Mill Road, Whanganui
 P 0800 728 662
 E sales@newtech.co.nz
www.newtech.co.nz