

# Installation Instructions

## Avon Mirror Glass Shelf Installation

1. Remove door / doors from cabinet. (This is usually done as part of the installation process as doors on cabinets can make them quite heavy) See *Figure 1.0 Door Hinge Removal*
2. Decide on desired height for shelf and install four shelf capture supports. These can be a tight fit and may require a little twisting to fit flush inside mirror cabinet. See *Figure 2.0*
3. Ensure supports are all in tight and facing the correct way. See *Figure 2.0*
4. Slide Glass Shelf in evenly until sitting hard back on all four supports. Note: If skewed, remove and refit. See *Figure 3.0*
5. Refit mirror door / doors to the cabinet.

**Note: Glass shelves cannot be fitted or removed while doors are on cabinet.**

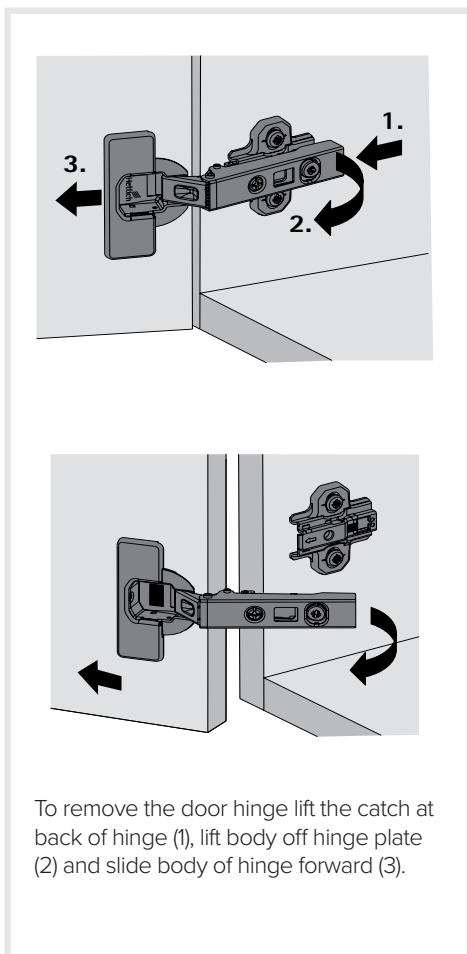


Figure 1.0

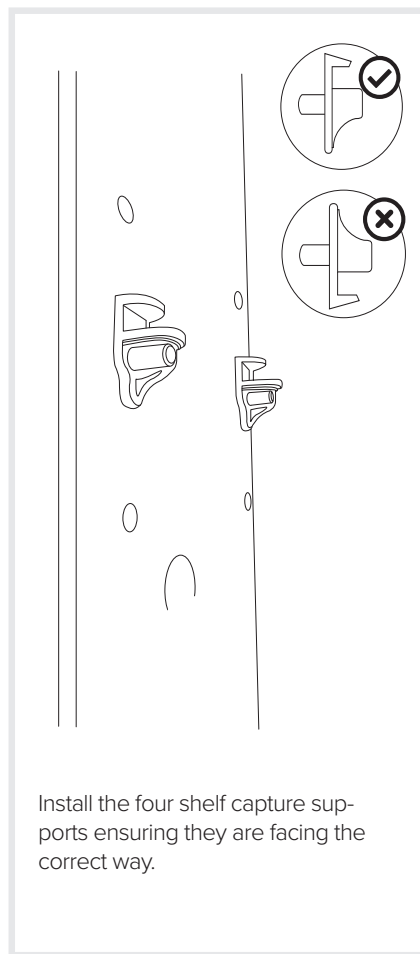


Figure 2.0

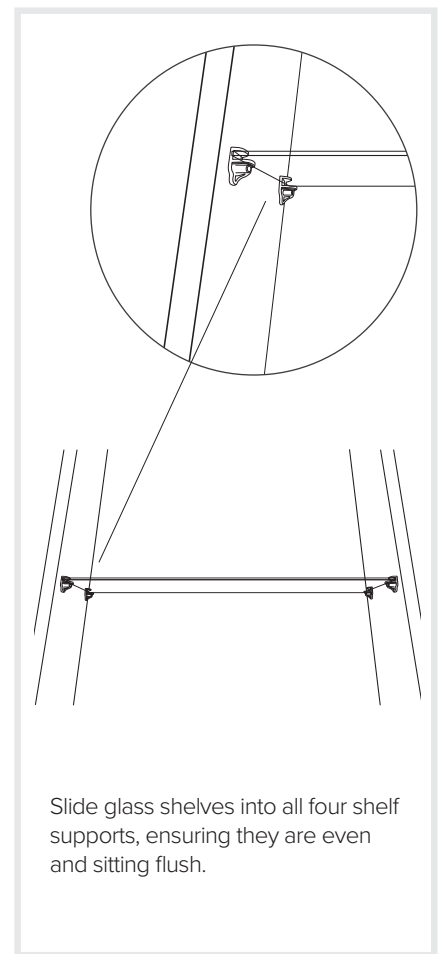


Figure 3.0