



INSTALLATION, PRODUCT CARE & WARRANTY

**ACCESSIBLE BASIN MIXER - T7369**



**WATER RATING**  
[www.waterefficiency.govt.nz](http://www.waterefficiency.govt.nz)

**7.5** litres per minute

In accordance with AS/NZS 6400  
Newtech Bathroomware

## **Thank you for purchasing Newtech Tapware.**

Your Newtech Tapware has been crafted using high quality DR Lead Free Brass and will have a long lasting and productive life, provided it is used in accordance with manufacturers general conditions.

**Your Newtech Tapware must be installed by a registered plumber.**

### **CARE OF YOUR NEWTECH TAPWARE**

To clean, use water with a soft damp cloth. Any harsh scrubbing or scratching of the product surface is strictly prohibited, same to the use of any cleaning products which contain acid or any corrosive agents.

### **WARRANTY**

For all warranty information please refer to [www.newtech.co.nz/warranty](http://www.newtech.co.nz/warranty).

### **INSTALLATION**

For pressure exceeding 5 bar/500kPa, install a pressure reducing valve. If a system is required to be pressure tested the water supply to the mixer must be capped off prior to testing. If a mixer has been subjected to pressures over 5 bar/500kPa then a new cartridge must be installed, at the installers/ owners expense for warranty to be valid.

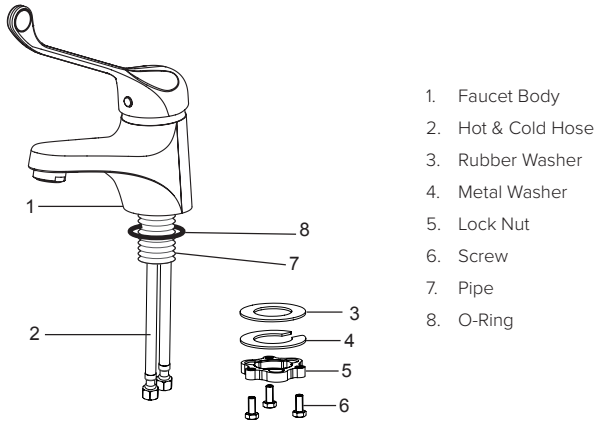
Thoroughly flush all pipes to eliminate any remaining dirt and residue and install inline filters and ensure water temperature does not exceed 65°C and pressure does not exceed 5 bar/500kPa. Turn off water supply before installation and check for leaks after every installation. Failure to do so may void warranty.

### **CONTACT US**

Phone 0800 728 662 Email [sales@newtech.co.nz](mailto:sales@newtech.co.nz)

# INSTALLATION INSTRUCTIONS

**IMPORTANT NOTE:** Before starting installation of your tap, turn off the water supply.



1. Faucet Body
2. Hot & Cold Hose
3. Rubber Washer
4. Metal Washer
5. Lock Nut
6. Screw
7. Pipe
8. O-Ring

No.	Instruction
1	Place the rubber washer over the hole on the surface where mixer is to be installed. Ensure the o-ring is in place.
2	Fit the faucet body into the basin/slabtop hole.
3	Place the Rubber Washer and then Metal Washer underneath the basin/slabtop and fit it onto the pipe. Tighten up the mixer from underneath the basin/slabtop using a mounting wrench.
4	Install the flexible hoses into the mixer body from underneath, and ensure the flexible hoses are hand tightened into place (DO NOT USE SPANNER TO TIGHTEN AS IT CAN DAMAGE O-RING).
5	It is important to flush out the supply pipes before installing the mixer and connecting the flexible hoses to hot/cold water supply, regardless whether a stop valve and filter has been installed or not. This procedure will stop foreign objects entering the cartridge.

## TECHNICAL SPECIFICATIONS

### Mains Pressure Only

Minimum Pressure = 150kPa

Maximum Operating Pressure = 500kPa (As per NZ Building Code AS/NZ 3500.1)

Maximum Operating Temperature = 55°C (As per NZS 4121:2001 Design for access and mobility)

Minimum bend for flexible hose is 35mm radius. Do not twist, stretch or crush the hoses.