

SPECIFICATION SHEET

Vega Slim 900mm 1 Drawer Wall Hung Vanity

Newtech Code: 94705



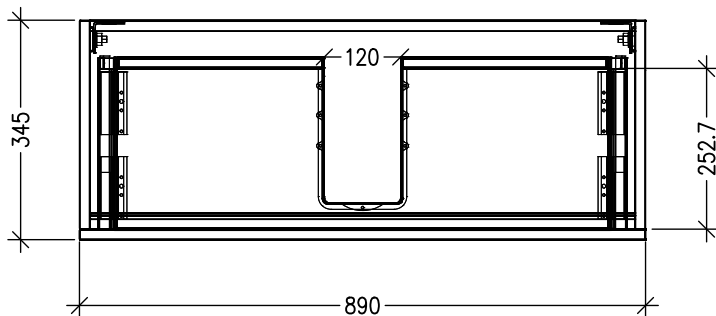
Features

- 1-Drawer Wall Hung
- Full Extension Soft Close Drawer
- Negative detail finger pull with extrusion
- Laminate Woodgrain & Solid Colours on MR Board
- Multiple Slab Top Options
- Dimensions: H420 x W900 x D350

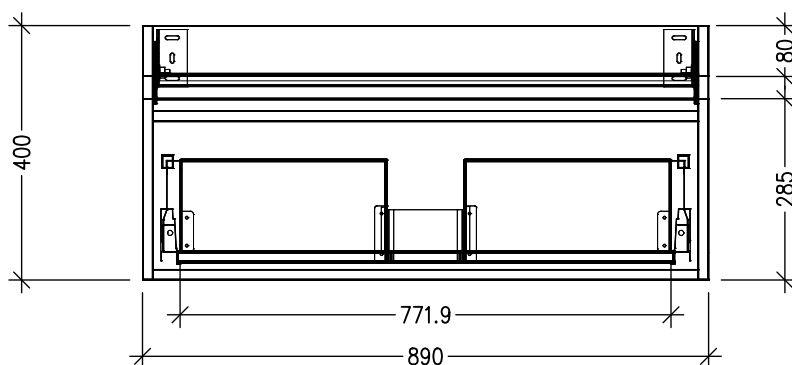
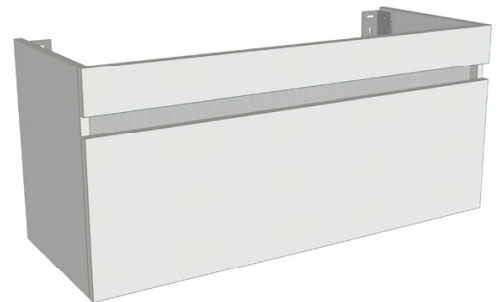
NOTE: Limited vessel basin options. Vessel basins are purchased separately.

Technical Details

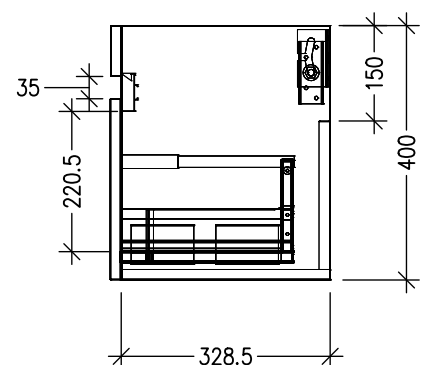
Note: All measurements shown are in millimetres. Sizes are nominal.



TOP VIEW



FRONT VIEW



SIDE VIEW