

SPECIFICATION SHEET

Vega Slim 750mm 2 Drawer Wall Hung Vanity

Newtech Code: 94725



Features

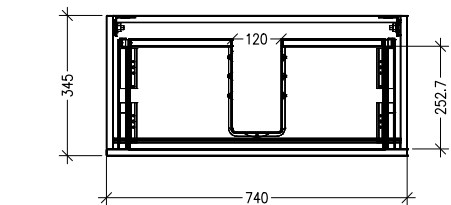
- 2-Drawer Wall Hung
- Full Extension Soft Close Drawers
- Negative detail finger pull with extrusion
- Laminate Woodgrain & Solid Colours on MR Board
- Slab Top Options:
20mm Stonecast or Acrylic Surface Top
- Dimensions: H670 x W750 x D350

NOTE: Limited vessel basin options. Vessel basins are purchased separately.

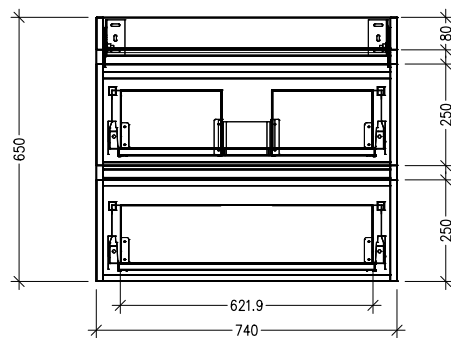
Note: When ordering add the slab top code to the cabinet code

Technical Details

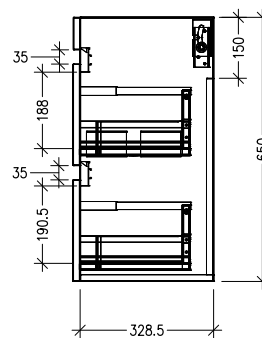
Note: All measurements shown are in millimetres. Sizes are nominal.



TOP VIEW



FRONT VIEW



SIDE VIEW

