

SPECIFICATION SHEET

Vega 900mm 2 Drawer Wall Vanity



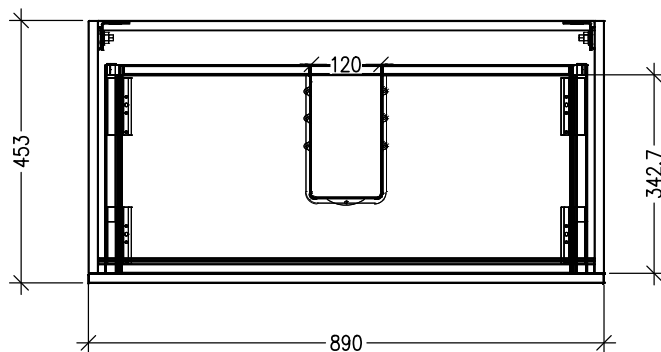
Features

- Wall Hung
- Full Extension Soft Close Drawers
- Negative detail finger pull with extrusion
- Cabinet:
Laminate Woodgrain &
Solid Colours on MR Board
- A variety of slab top options
- Dimensions: H670 x W900 x D465
- Plumbing provision has been allowed for with a 60mm space behind lower drawer. Note lower drawer DOES NOT have a plumbing cutout and is designed to offer full storage space

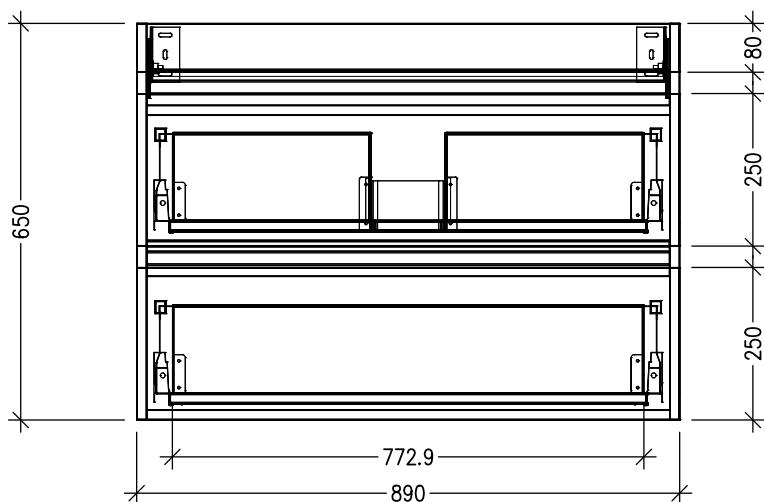
*Note: Vessel basins are purchased separately.
Visit www.newtech.co.nz for full range of vessel basin options.*

Technical Details

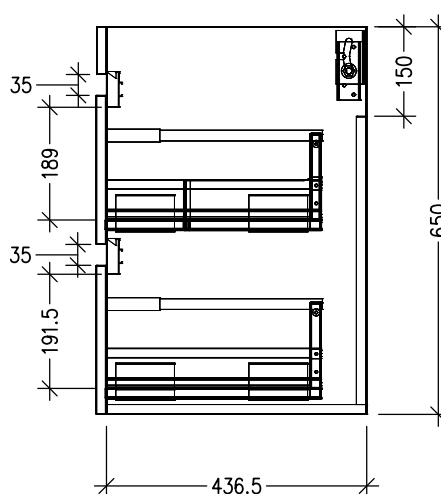
Note: All measurements shown are in millimetres. Sizes are nominal.



TOP VIEW



FRONT VIEW

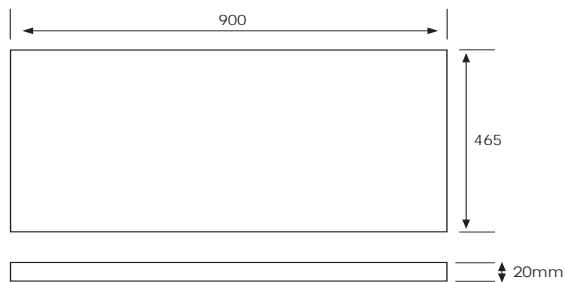


SIDE VIEW

SPECIFICATION SHEET

Slab Top Options

Slab Top 900
W900 x D465 x H20



Note: Refer to www.newtech.co.nz for slab top options