

SPECIFICATION SHEET

Vega 900mm 1 Drawer Wall Vanity



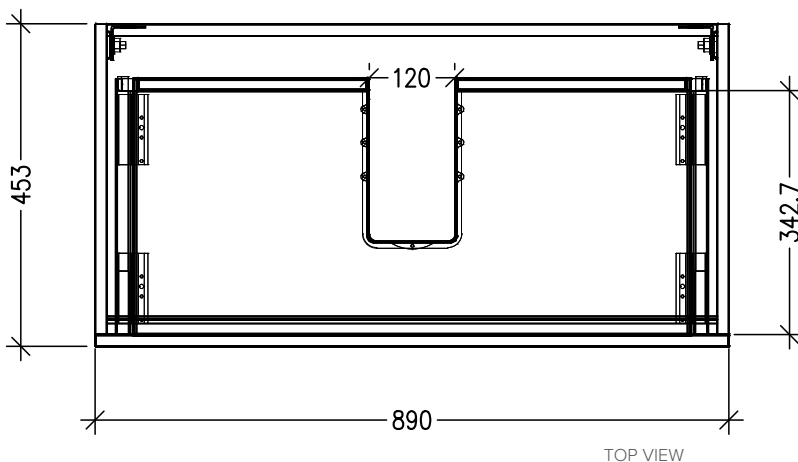
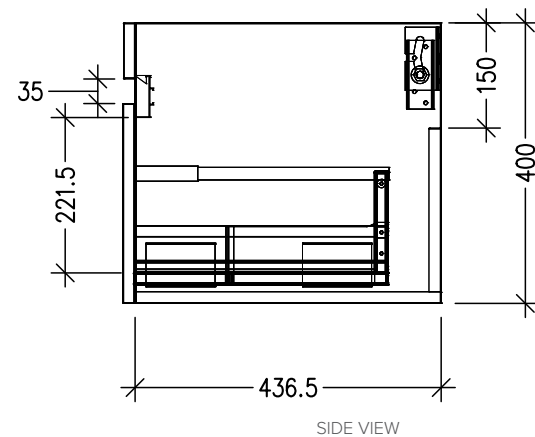
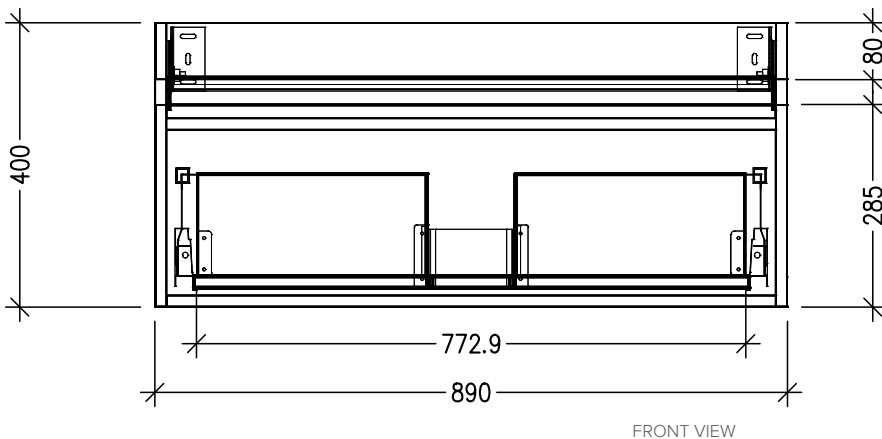
Features

- Wall Hung
- Full Extension Soft Close Drawer
- Negative detail finger pull with extrusion
- Cabinet:
 - Laminate Woodgrain & Solid Colours on MR Board
- A variety of slab top options
- Dimensions: H420 x W900 x D465

*Note: Vessel basins are purchased separately.
Visit www.newtech.co.nz for full range of vessel basin options.*

Technical Details

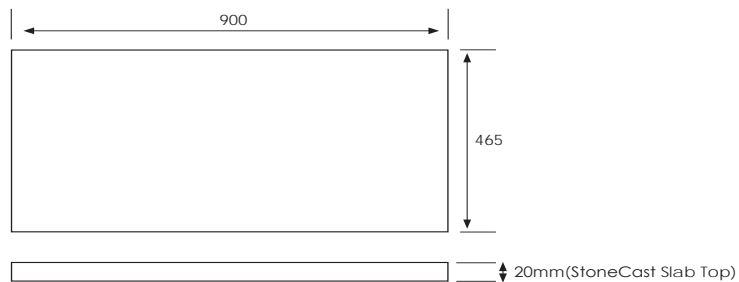
Note: All measurements shown are in millimetres. Sizes are nominal.



SPECIFICATION SHEET

Slab Top Options

Slab Top 900
W900 x D465 x H20



Note: Refer to www.newtech.co.nz for slab top options