

SPECIFICATION SHEET

Vega 750mm 1 Drawer Wall Vanity



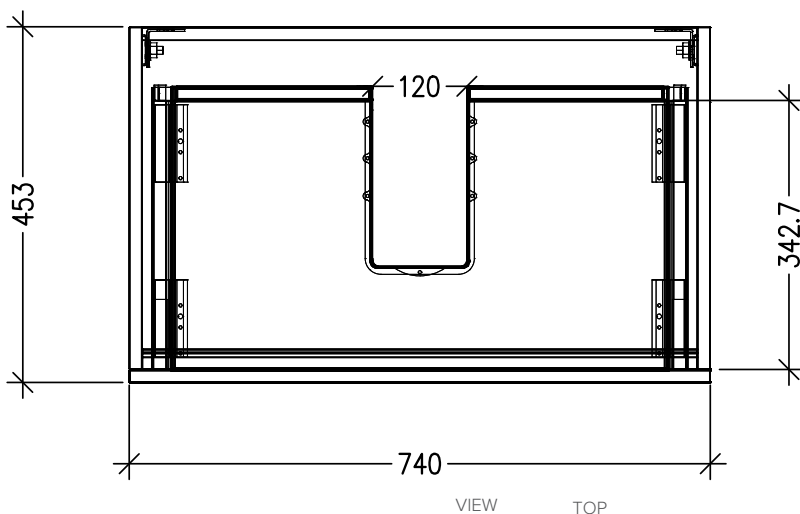
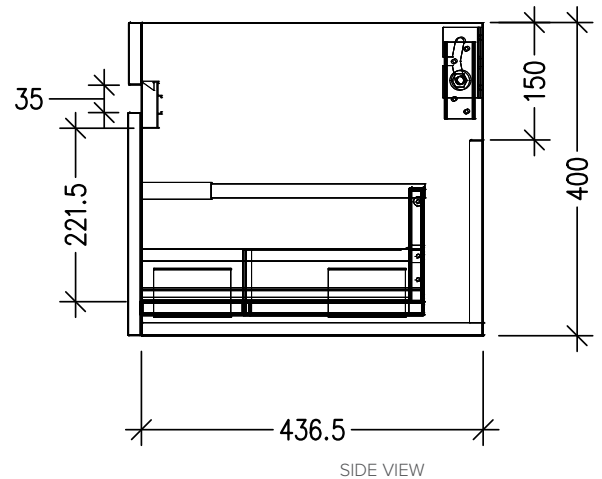
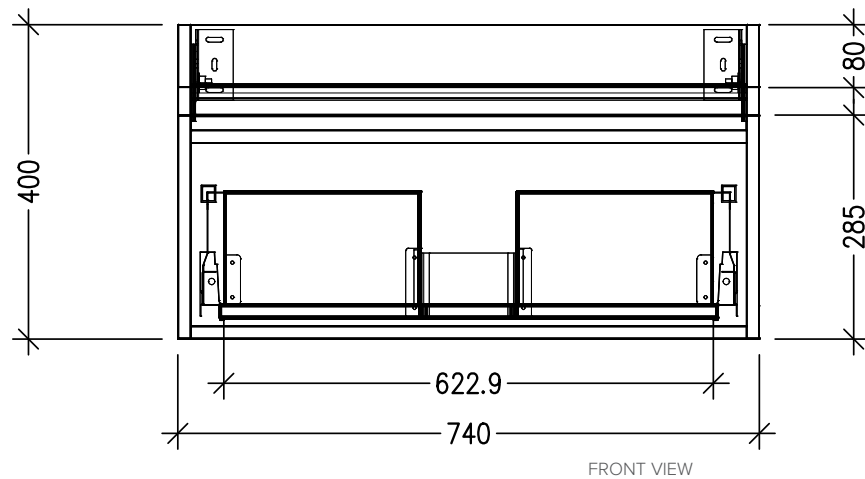
Features

- Wall Hung
- Full Extension Soft Close Drawer
- Negative detail finger pull with extrusion
- Cabinet:
Laminate Woodgrain &
Solid Colours on MR Board:
- A variety of slab top options
- Dimensions: H420 x W750 x D465

*Note: Vessel basins are purchased separately.
Visit www.newtech.co.nz for full range of vessel basin options.*

Technical Details

Note: All measurements shown are in millimetres. Sizes are nominal.

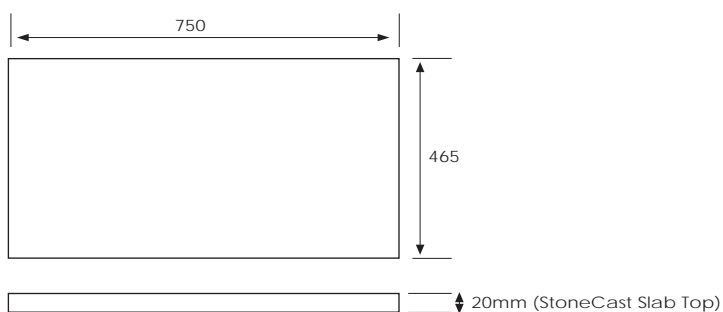


SPECIFICATION SHEET

Slab Top Options

Slab Top 750

W750 x D465 x H20



Note: Refer to www.newtech.co.nz for slab top options