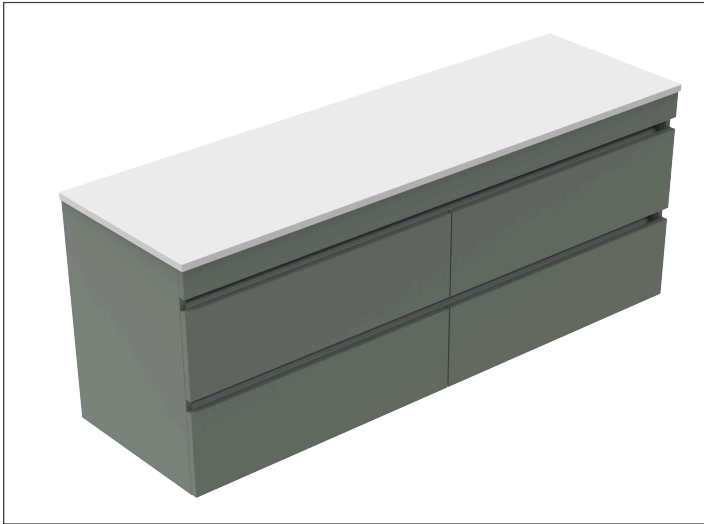


SPECIFICATION SHEET

Vega 1800mm 4 Drawer Double Basin Wall Vanity



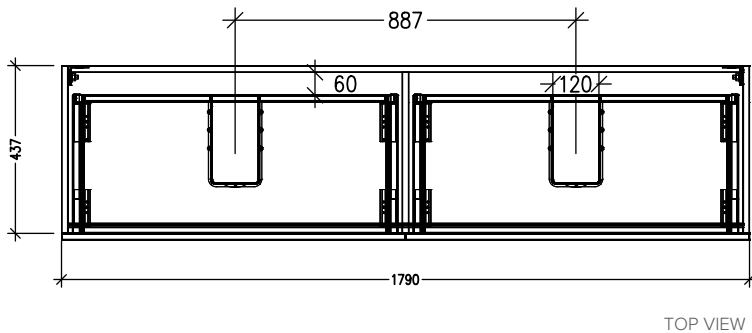
Features

- Wall Hung, Double Basin
- Full Extension Soft Close Drawers
- Negative detail finger pull with extrusion
- Laminate Woodgrain & Solid Colours on MR Board
- A variety of slab top options
- Dimensions: H670 x W1800 x D465
- Plumbing provision has been allowed for with a 60mm space behind lower drawers. Note lower drawers DO NOT have a plumbing cutout and are designed to offer full storage space

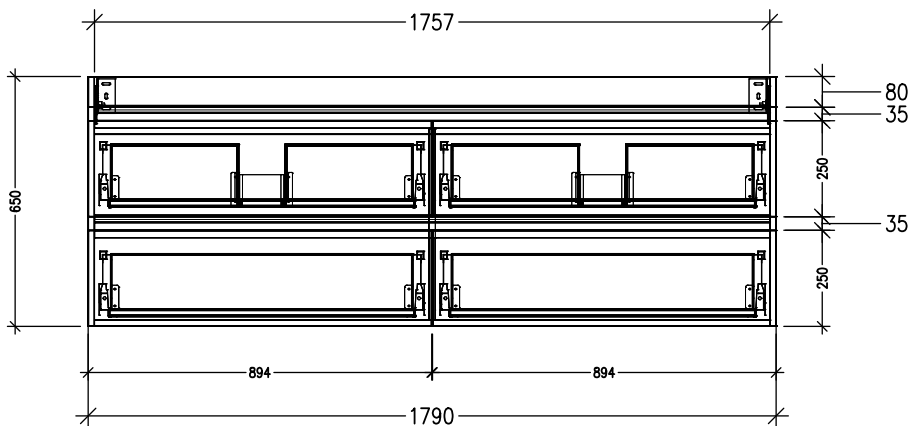
*Note: Vessel basins are purchased separately.
Visit www.newtech.co.nz for full range of vessel basin options.*

Technical Details

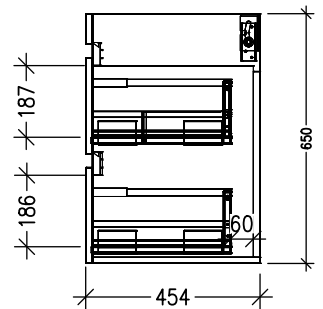
Note: All measurements shown are in millimetres. Sizes are nominal.



TOP VIEW



FRONT VIEW

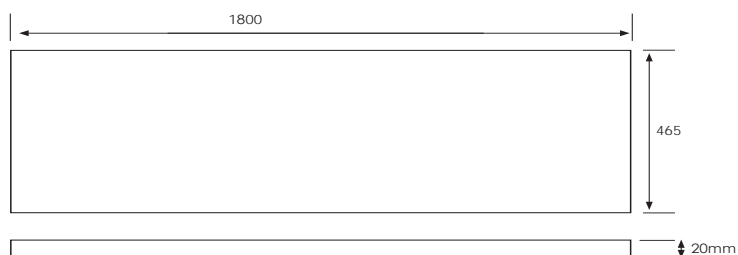
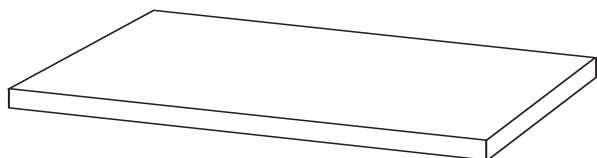


SIDE VIEW

SPECIFICATION SHEET

Slab Top Options

Slab Top 1800
W1800 x D465 x H20



Note: Refer to www.newtech.co.nz for slab top options