

# SPECIFICATION SHEET

gqtI #(!! { { ' T,l ‡ q, 'd\ t\q'RI f\ ' h l \ygl | v,%o



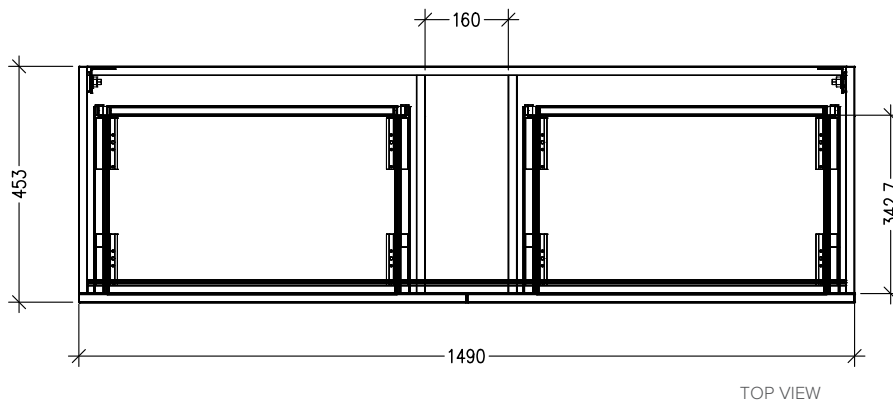
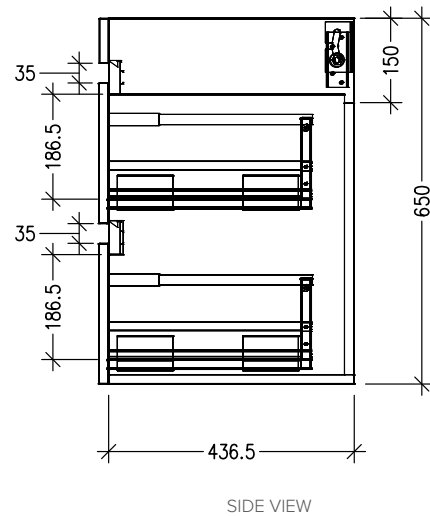
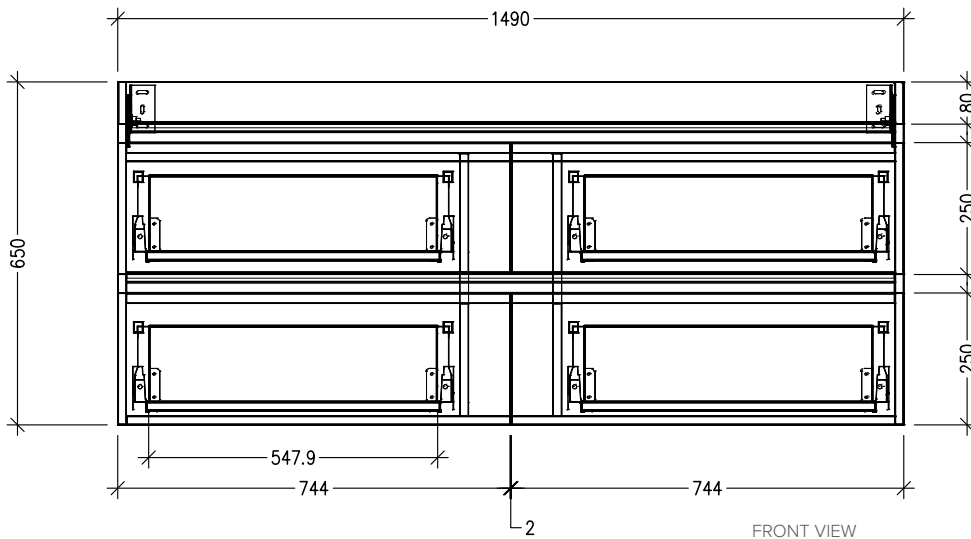
## Features

- Wall Hung
- Full Extension Soft Close Drawers
- Negative detail finger pull with extrusion
- Cabinet:  
Laminate Woodgrain & Solid Colours on MR Board
- A variety of slab top options
- Dimensions: H670 x W1500 x D465

*Note: Vessel basins are purchased separately.  
Visit [www.newtech.co.nz](http://www.newtech.co.nz) for full range of vessel basin options.*

## Technical Details

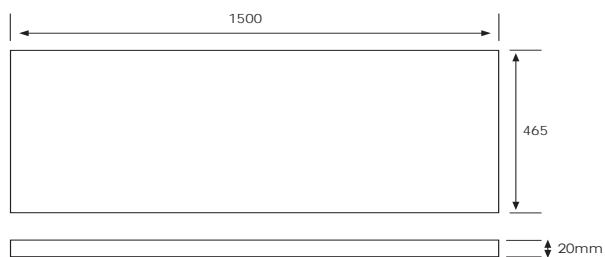
*Note: All measurements shown are in millimetres. Sizes are nominal.*



# SPECIFICATION SHEET

## Slab Top Options

Slab Top 1500  
W1500 x D465 x H20



Note: Refer to [www.newtech.co.nz](http://www.newtech.co.nz) for slab top options