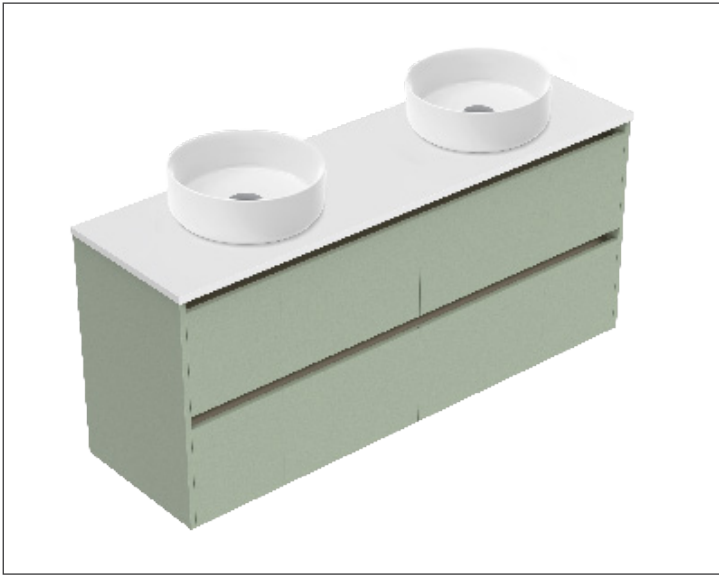


SPECIFICATION SHEET

Sahara Luxe 1500mm 4 Drawers Double Basin Wall Vanity

Code: 10306



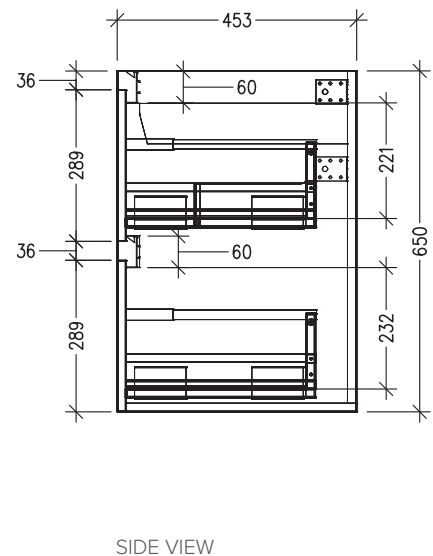
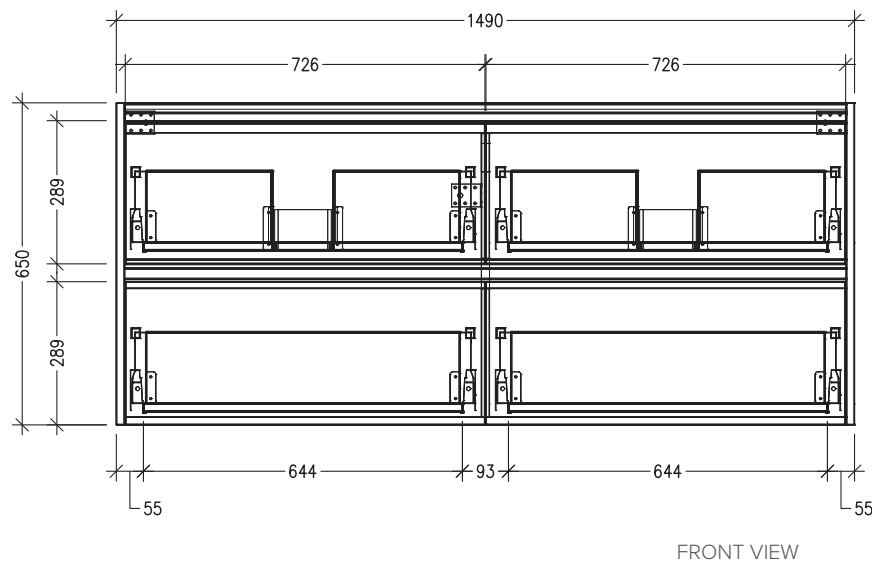
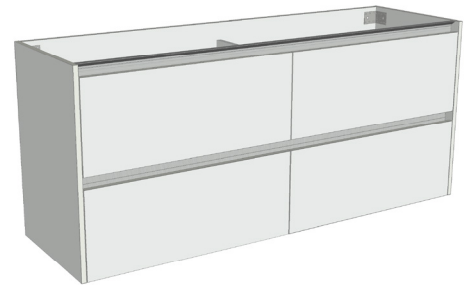
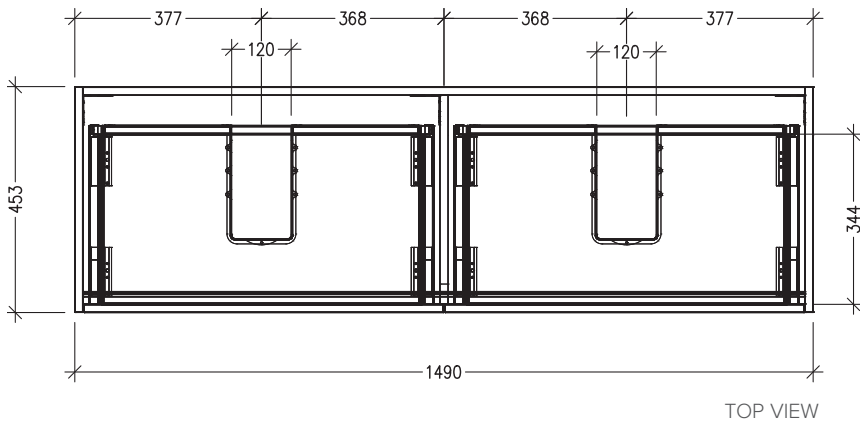
Features

- 4 Drawers Wall Hung
- Cabinet with Extrusion
- Double Basin with Slab Top
- Melamine laminate on moisture resistant board
- Dimensions: H650 x W1500 x D453
- Designed & Assembled in NZ

*Note: Vessel basins are purchased separately.
Visit www.newtech.co.nz for the full range of vessel basin options.*

Technical Details

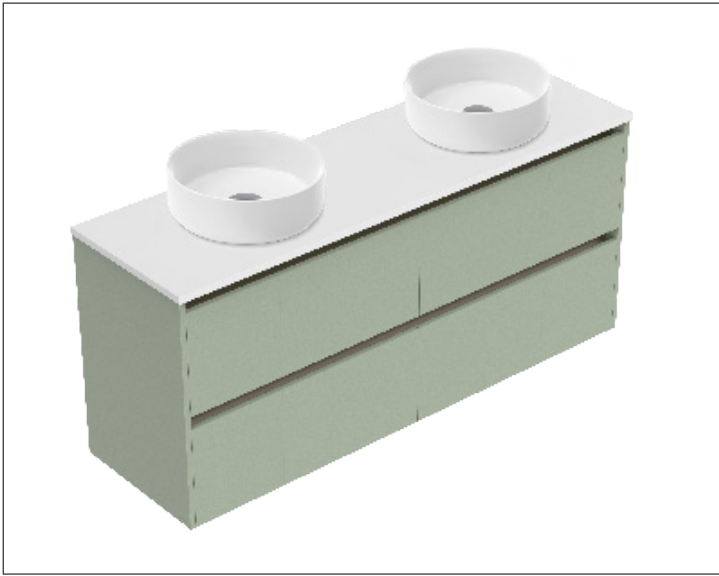
Note: All measurements shown are in millimetres. Sizes are nominal.



SPECIFICATION SHEET

Sahara Luxe 1500mm 4 Drawers Double Basin Wall Vanity

Code: 10306



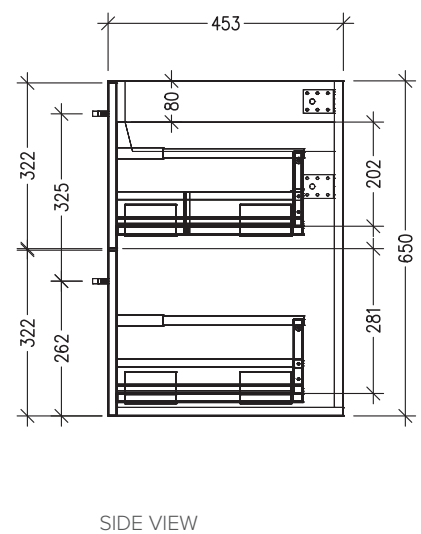
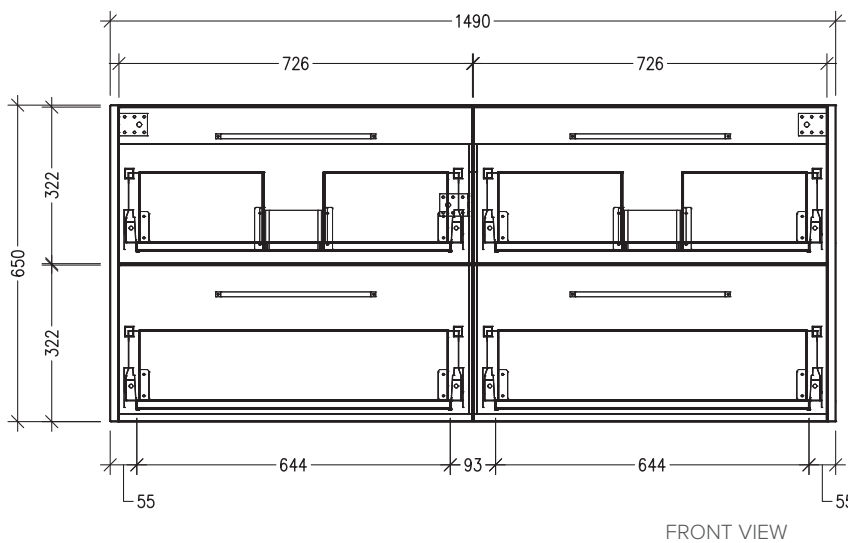
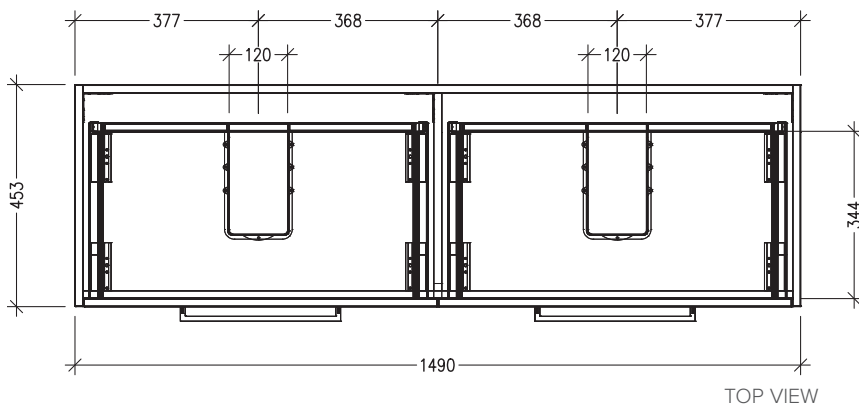
Features

- 4 Drawers Wall Hung
- Cabinet with Handle
- Double Basin with Slab Top
- Melamine laminate on moisture resistant board
- Dimensions: H650 x W1500 x D453
- Designed & Assembled in NZ

*Note: Vessel basins are purchased separately.
Visit www.newtech.co.nz for the full range of vessel basin options.*

Technical Details

Note: All measurements shown are in millimetres. Sizes are nominal.



SPECIFICATION SHEET

Sahara Luxe 1500mm 4 Drawers Double Basin Wall Vanity

Code: 10306



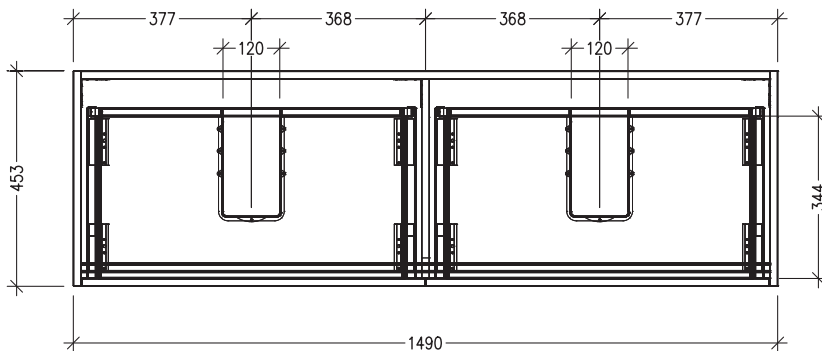
Features

- 4 Drawers Wall Hung
- Cabinet with Negative Timber Detail
- Double Basin with Slab Top
- Melamine laminate on moisture resistant board
- Dimensions: H650 x W1500 x D453
- Designed & Assembled in NZ

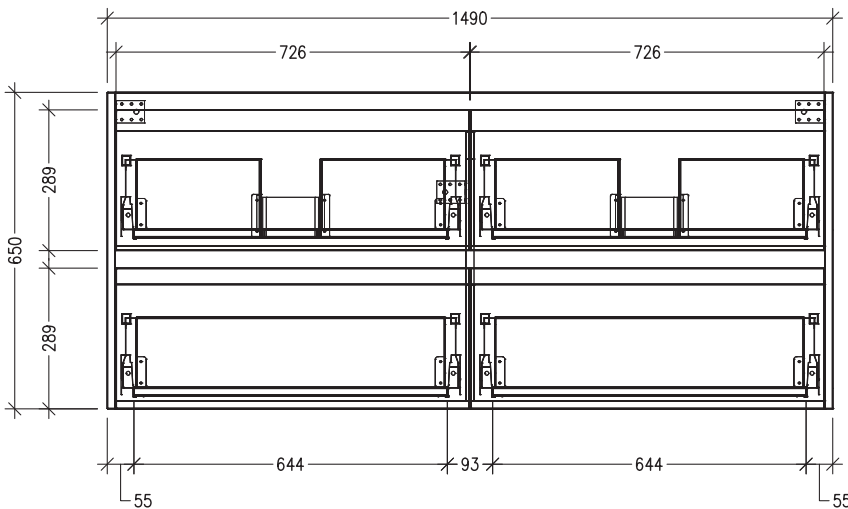
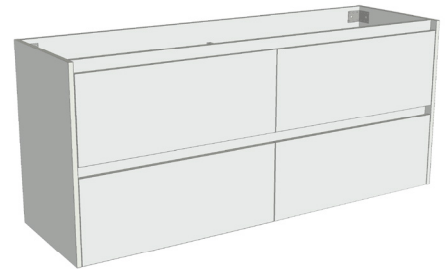
*Note: Vessel basins are purchased separately.
Visit www.newtech.co.nz for the full range of vessel basin options.*

Technical Details

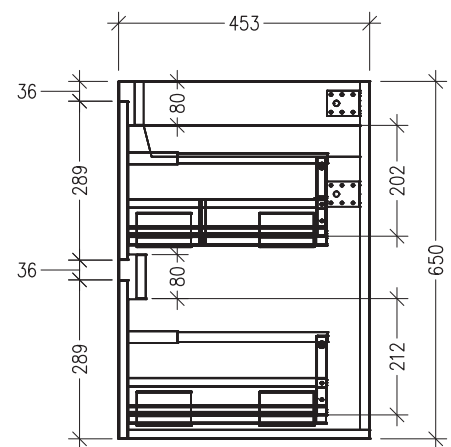
Note: All measurements shown are in millimetres. Sizes are nominal.



TOP VIEW



FRONT VIEW



SIDE VIEW