

# SPECIFICATION SHEET

## Sahara 750mm 1 Drawer Wall Vanity

Code: 10142

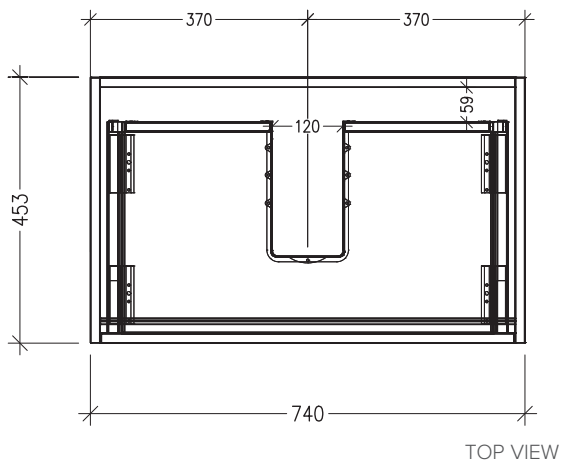


### Features

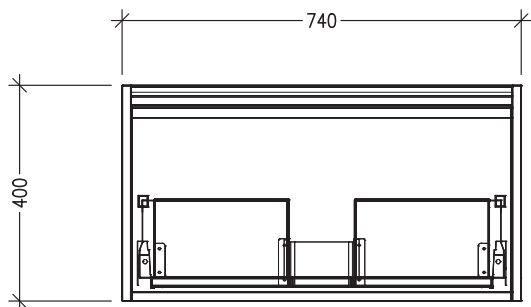
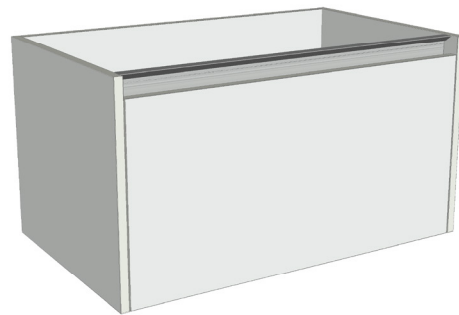
- 1 Drawer Wall Hung
- Cabinet with Extrusion
- Centre Basin
- Dimensions: H400 x W750 x D453
- Designed & Assembled in NZ

### Technical Details

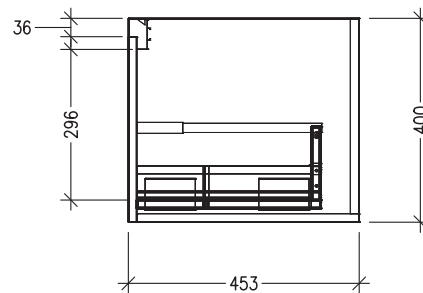
Note: All measurements shown are in millimetres. Sizes are nominal.



TOP VIEW



FRONT VIEW



SIDE VIEW

# SPECIFICATION SHEET

## Sahara 750mm 1 Drawer Wall Vanity

Code: 10142

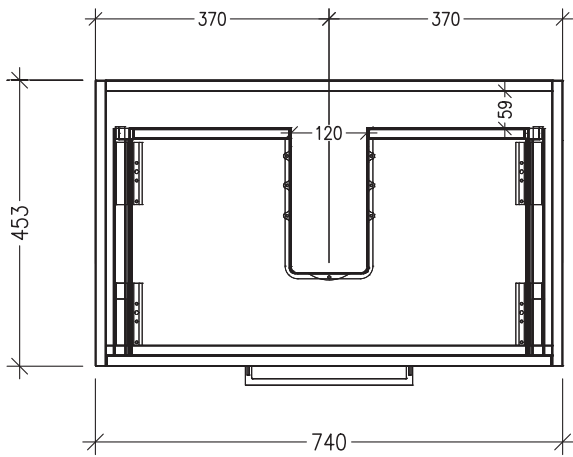


### Features

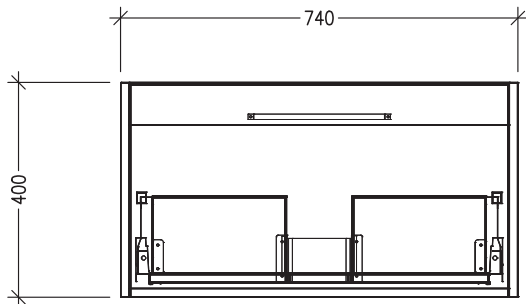
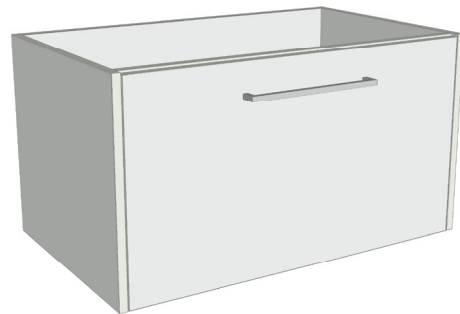
- 1 Drawer Wall Hung
- Cabinet with Handle
- Centre Basin
- Dimensions: H400 x W750 x D453
- Designed & Assembled in NZ

### Technical Details

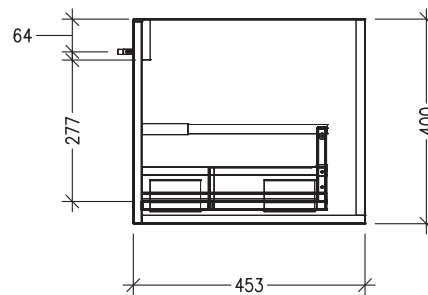
Note: All measurements shown are in millimetres. Sizes are nominal.



TOP VIEW



FRONT VIEW



SIDE VIEW

# SPECIFICATION SHEET

## Sahara 750mm 1 Drawer Wall Vanity

Code: 10142



### Features

- 1 Drawer Wall Hung
- Cabinet with Negative Timber Detail
- Centre Basin
- Dimensions: H400 x W750 x D453
- Designed & Assembled in NZ

### Technical Details

Note: All measurements shown are in millimetres. Sizes are nominal.

