

SPECIFICATION SHEET

Sahara 600mm 1 Drawer Wall Vanity

Code: 10138

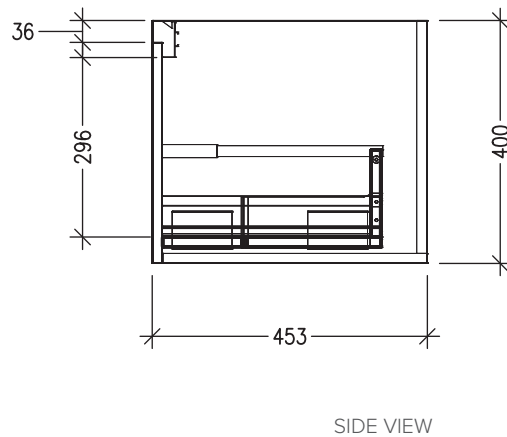
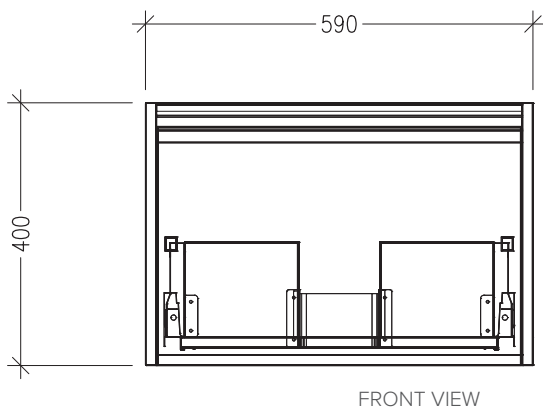
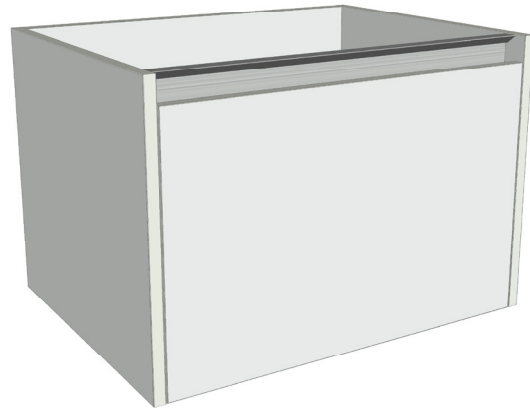
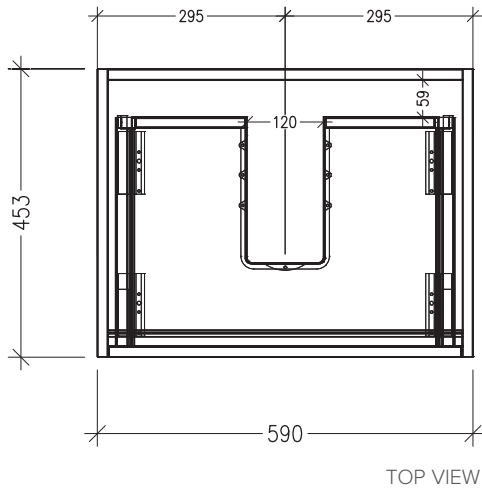


Features

- 1 Drawer Wall Hung
- Cabinet with Extrusion
- Centre Basin
- Dimensions: H400 x W600 x D453
- Designed & Assembled in NZ

Technical Details

Note: All measurements shown are in millimetres. Sizes are nominal.



SPECIFICATION SHEET

Sahara 600mm 1 Drawer Wall Vanity

Code: 10138

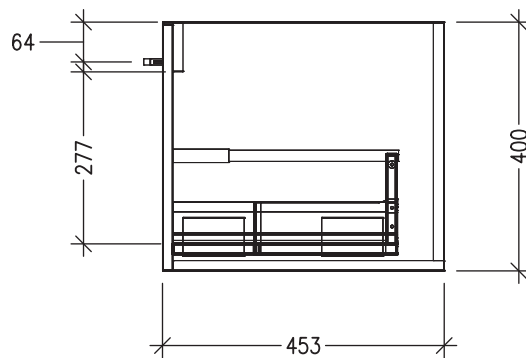
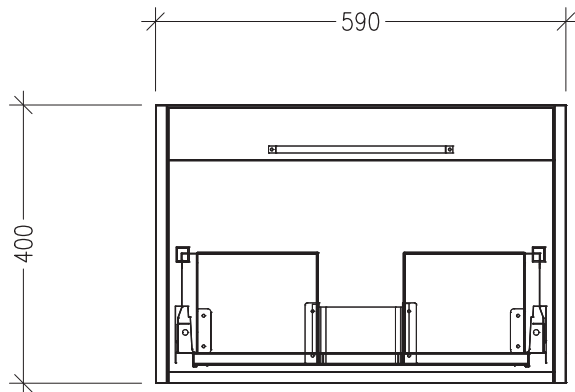
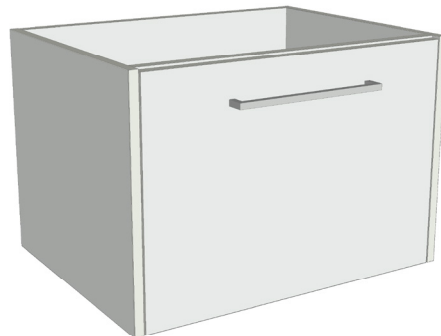
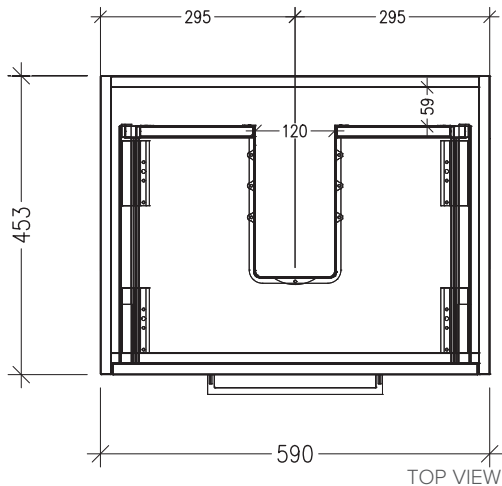


Features

- 1 Drawer Wall Hung
- Cabinet with Handle
- Centre Basin
- Dimensions: H400 x W600 x D453
- Designed & Assembled in NZ

Technical Details

Note: All measurements shown are in millimetres. Sizes are nominal.



FRONT VIEW

SIDE VIEW

SPECIFICATION SHEET

Sahara 600mm 1 Drawer Wall Vanity

Code: 10138



Features

- 1 Drawer Wall Hung
- Cabinet with Negative Timber Detail
- Centre Basin
- Dimensions: H400 x W600 x D453
- Designed & Assembled in NZ

Technical Details

Note: All measurements shown are in millimetres. Sizes are nominal.

