

SPECIFICATION SHEET

Quadro Shower/Bath Mixer

Code: QT7106

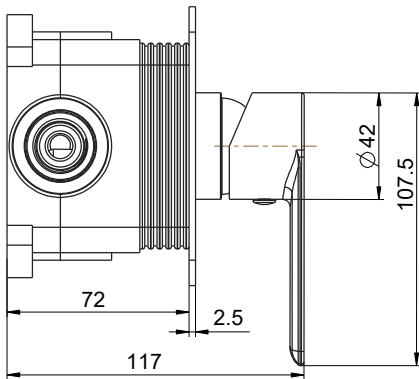


Product Details

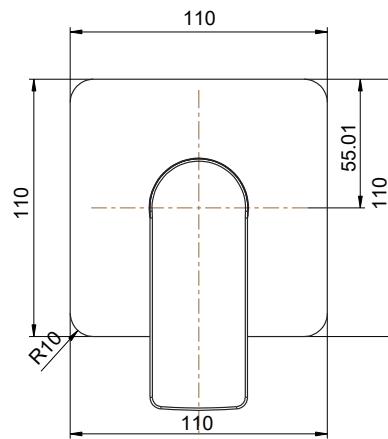
- Available in 5 different colours:
 - Chrome (Electroplated)
 - Brushed Nickel (PVD)
 - Black (Electroplated)
 - Gunmetal (Electroplated)
 - Brushed Brass (PVD)
- 304 Stainless Steel Valve Body and Zinc Alloy Handle
- Lead-Free Stainless Steel Tapware (Materials comply with AS/NZS 4020:2018 for products in contact with drinking water)
- Minimum Pressure = 150kpa
- Maximum Operating Pressure = 500kPa (As per NZ Building code AS/NZS 3500.01)
- Maximum Operating temperature = 65 Degrees
- 35mm Kerox Cartridge
- Supplied with ABS Leak Control Box for Easy Installation
- Watermark certified
- Mains Pressure Only

Technical Details

Note: All measurements shown are in millimetres. Sizes are nominal.



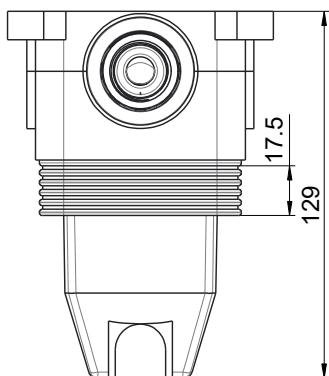
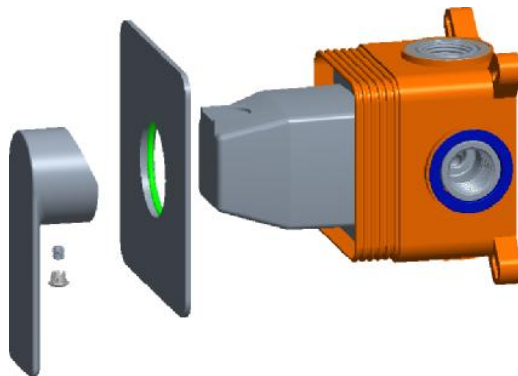
SHOWER/BATH MIXER WITH FACEPLATE & HANDLE
SIDE VIEW



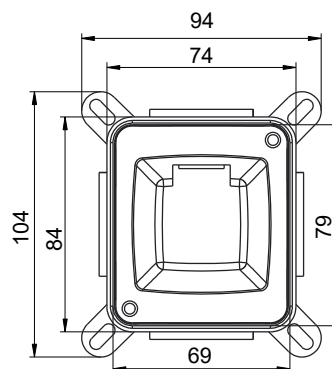
SHOWER/BATH MIXER WITH FACEPLATE & HANDLE
FRONT VIEW

SPECIFICATION SHEET

Quadro Shower/Bath Mixer Technical Details



SHOWER/BATH MIXER LEAK CONTROL BOX
SIDE VIEW



SHOWER/BATH MIXER LEAK CONTROL BOX
FRONT VIEW