

SPECIFICATION SHEET

Quadro High Rise Basin Mixer

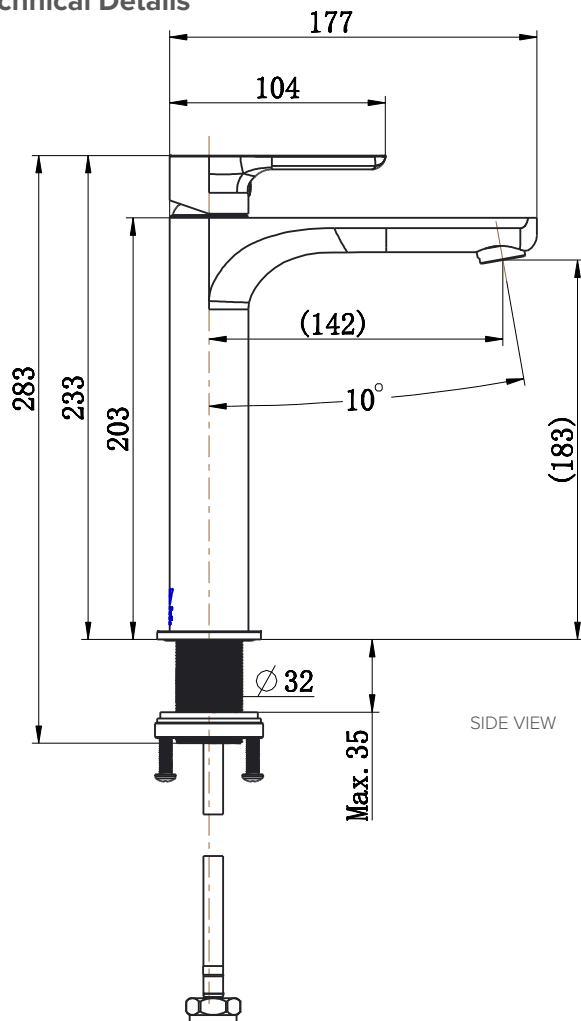
Code: QT7102



Product Details

- Available in 5 different colours:
 - Chrome (Electroplated)
 - Brushed Nickel (PVD)
 - Black (Electroplated)
 - Gunmetal (Electroplated)
 - Brushed Brass (PVD)
- Material: Low Lead DR Brass Faucet Body and Zinc Alloy Handle
- Low-lead Brass Tapware (Manufactured using materials containing $\leq 0.25\%$ lead, in accordance with Watermark and NZ Building Code clause G12/AS1)
- Minimum Pressure = 150kpa
- Maximum Operating Pressure = 500kPa (As per NZ Building code AS/NZS 3500.01)
- Maximum Operating temperature = 65 Degrees
- Wels Rating = 5 Star / 6 Litres per minute
- Neoperl Aerator
- 25mm Kerox Cartridge
- Fixed Spout
- Spout Reach = 177mm
- Watermark certified

Technical Details



Note: All measurements shown are in millimetres. Sizes are nominal.

