

SPECIFICATION SHEET

Porscha Slim 1200 4-Drawer Single Basin Wall Hung Vanity

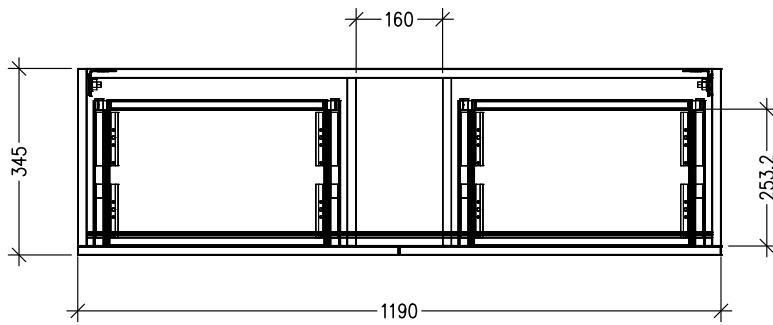


Features

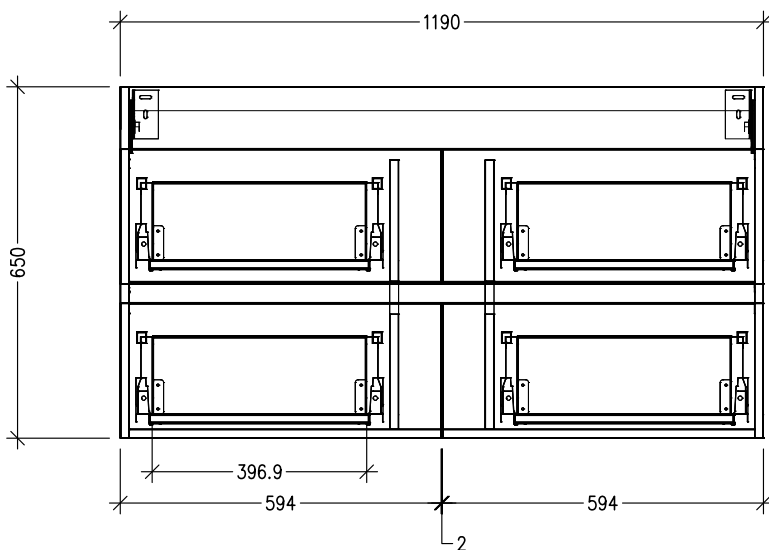
- 4-Drawer Wall Hung Vanity with Designer Drawer Fronts
- StoneCast 50mm Basin
- Full Extension Soft Close Drawers with Extrusions - *Extrusion upgrade options available*
- Designer Drawer Fronts are pre-installed on all vanities
- Dimensions: H670 x W1200 x D350

Technical Details

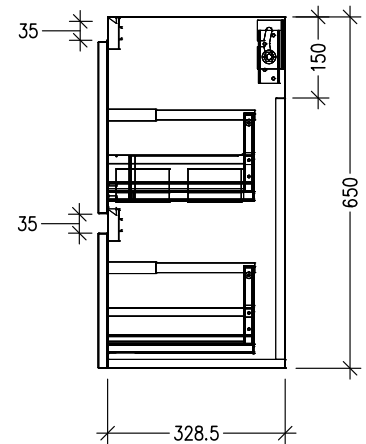
Note: All measurements shown are in millimetres. Sizes are nominal.



TOP VIEW



FRONT VIEW



SIDE VIEW

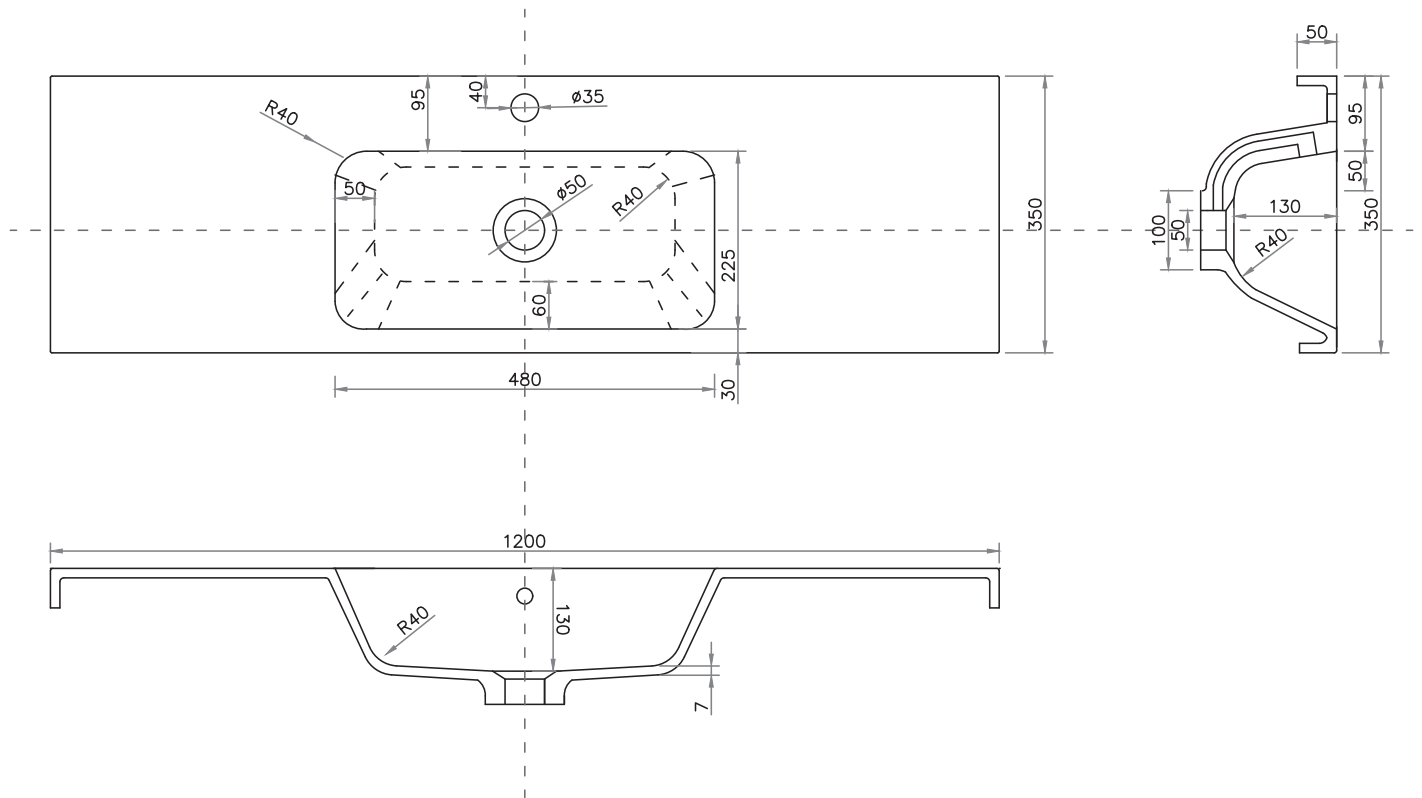
IMPORTANT

For installation, please ensure cabinet is fixed through middle division brackets into solid fixings.

SPECIFICATION SHEET

StoneCast 1200 Basin

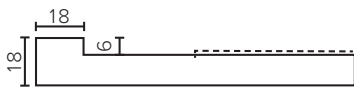
H50 X W1200 X D350



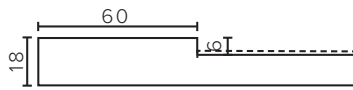
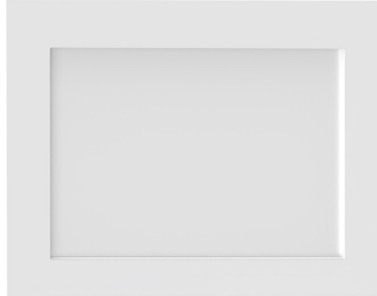
SPECIFICATION SHEET

Designer Drawer/Door Fronts

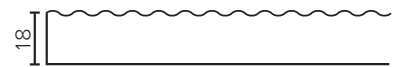
BARNSLEY
18mm Inset Frame
Code: BL



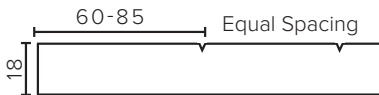
PRESTON
60mm Inset Frame
Code: PT



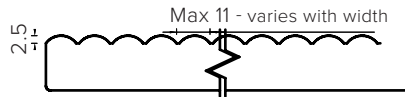
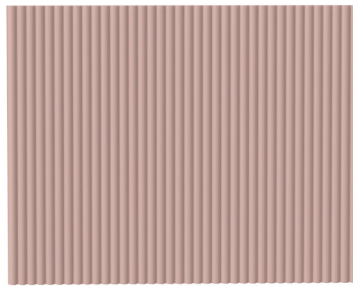
TURNBERRY
Ripple Design
Code: TB



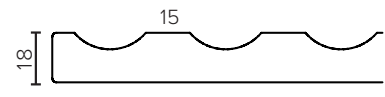
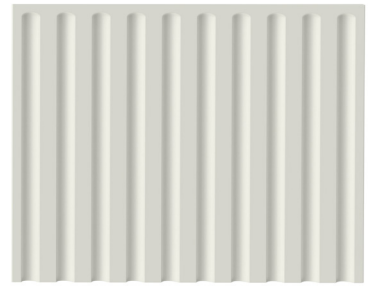
NEWPORT
V-Groove Panels
Code: NP



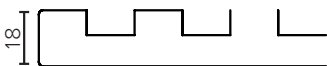
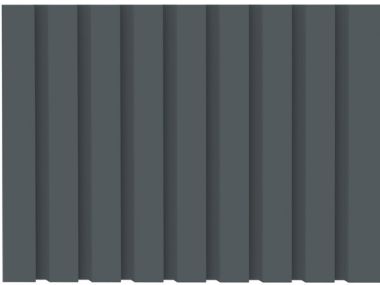
MIAMI
Little Wave
Code: MI



LAUREL
Fluted Lines
Code: LU



LINCOLN
Fence Style
Code: LN



ASPEN
Scalloped Wave
Code: AP

