

SPECIFICATION SHEET

Oxley Slim 1200 2-Drawer Single Basin Wall Hung Vanity

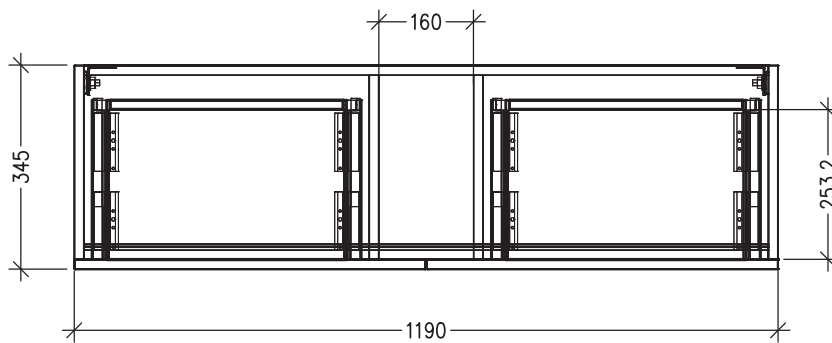


Features

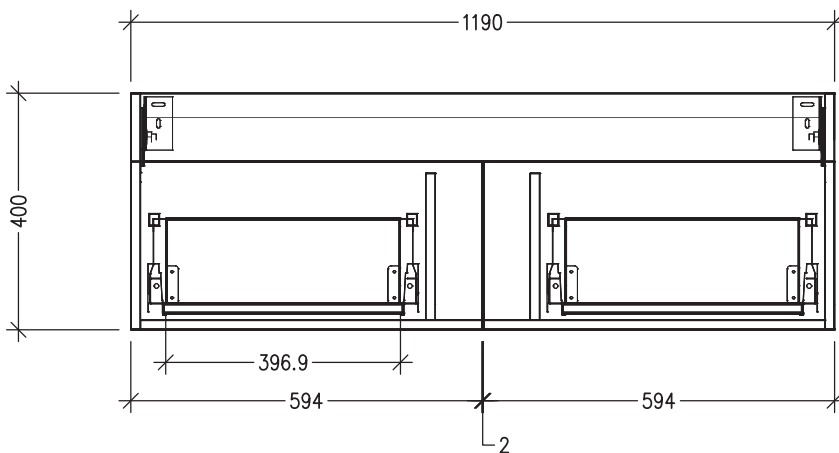
- 2-Drawer Wall Hung Vanity
- StoneCast 50mm Basin
- Full Extension Soft Close Drawers with Extrusions - *Extrusion upgrade options available*
- Dimensions: H420 x W1200 x D350

Technical Details

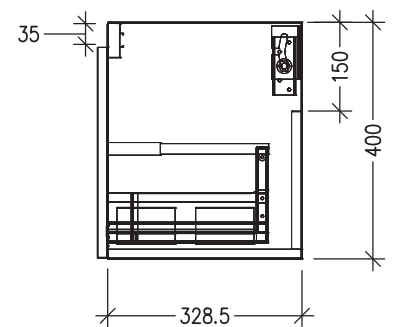
Note: All measurements shown are in millimetres. Sizes are nominal.



TOP VIEW



FRONT VIEW



SIDE VIEW

