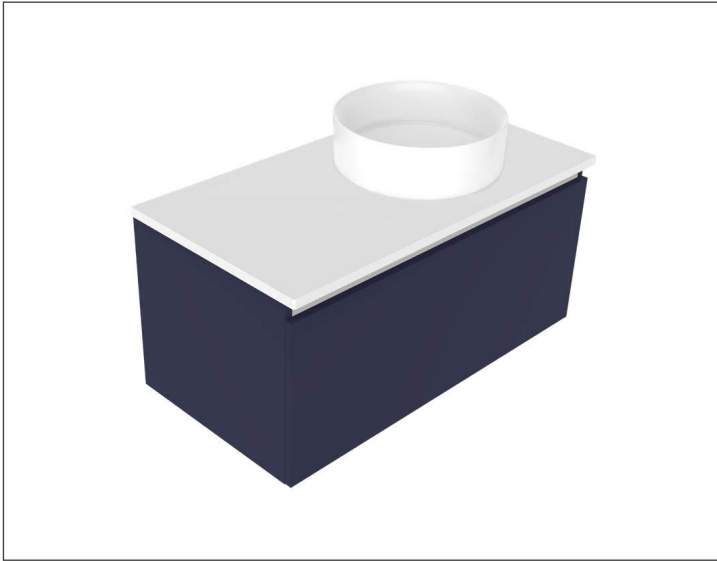


# SPECIFICATION SHEET

## Oxley Luxe 900 1-Drawer Wall Hung Vanity, Right Offset Basin

Code: 5126R



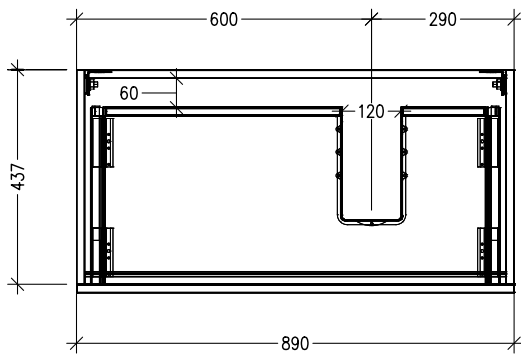
### Features

- 1-Drawer Wall Hung Vanity with
- Right Offset Basin Vanity
- Slabtop Options : Stonecast Tops or Acrylic Solid Surface Tops
- Full Extension Soft Close Drawers with Extrusion - *Extrusion upgrade options available*
- Dimensions: H420 x W900 x D465

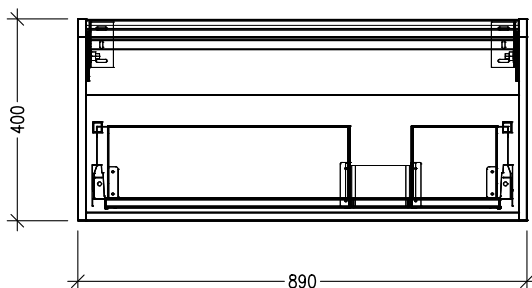
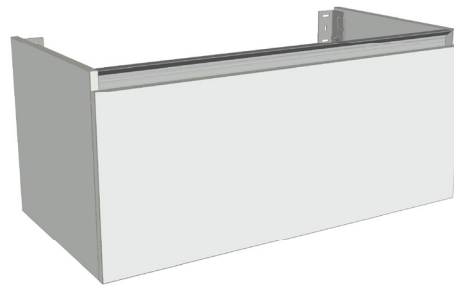
*Note : Vessel basins are purchased separately.  
See [www.newtech.co.nz](http://www.newtech.co.nz) for the full range of basin, colour and extrusion options.*

### Technical Details

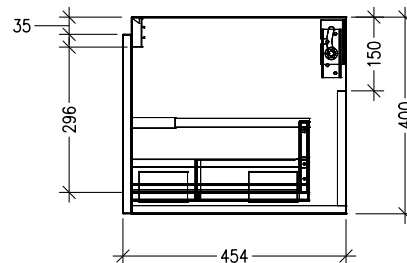
Note: All measurements shown are in millimetres. Sizes are nominal.



TOP VIEW



FRONT VIEW



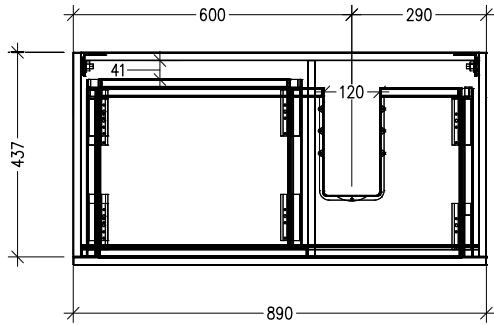
SIDE VIEW

# SPECIFICATION SHEET

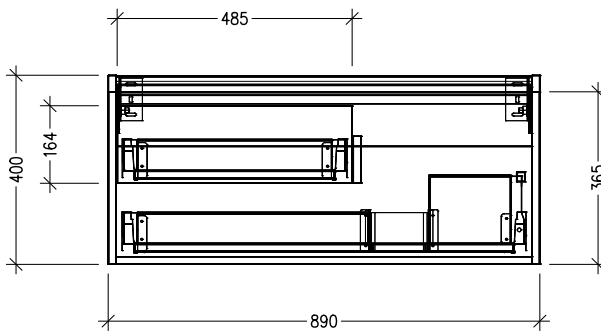
## Oxley Luxe 900 1-Drawer Wall Hung Vanity, Right Offset Basin with cosmetic drawers

Newtech Code: COSL

### Technical Details

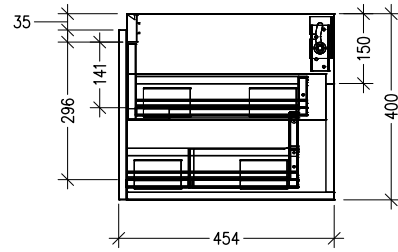


TOP VIEW



FRONT VIEW

Note: Drawings shown are for COSL only. No other cosmetic drawer option is available on this vanity.



SIDE VIEW