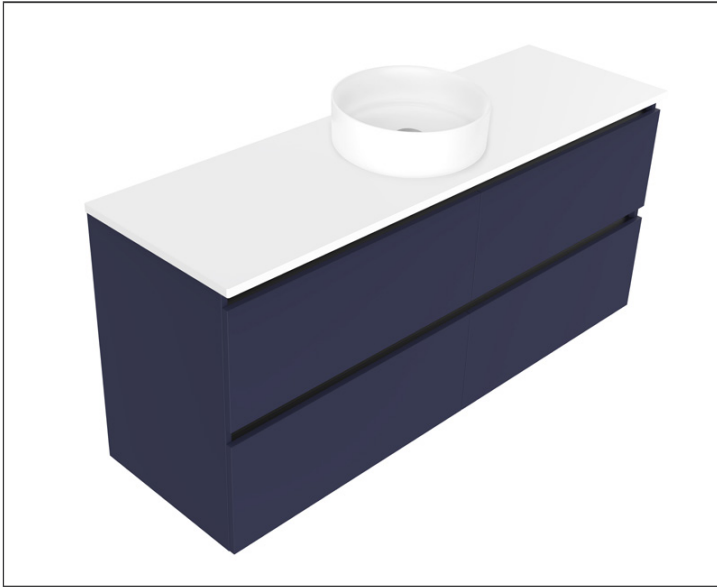


SPECIFICATION SHEET

Oxley Luxe 1500 4-Drawer Single Basin Wall Hung Vanity



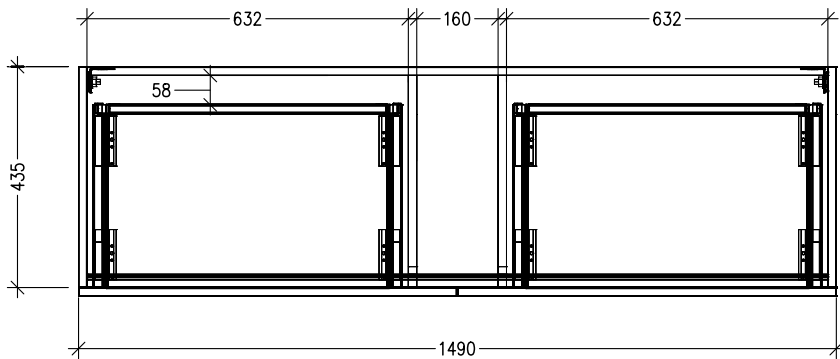
Features

- 4-Drawer Wall Hung Vanity
- Full Extension Soft Close Drawers with Extrusions - *Extrusion upgrade options available*
- Dimensions: H670 x W1500 x D465
- Slab Top Options:
20mm StoneCast, Acrylic or Quartz Slab Top

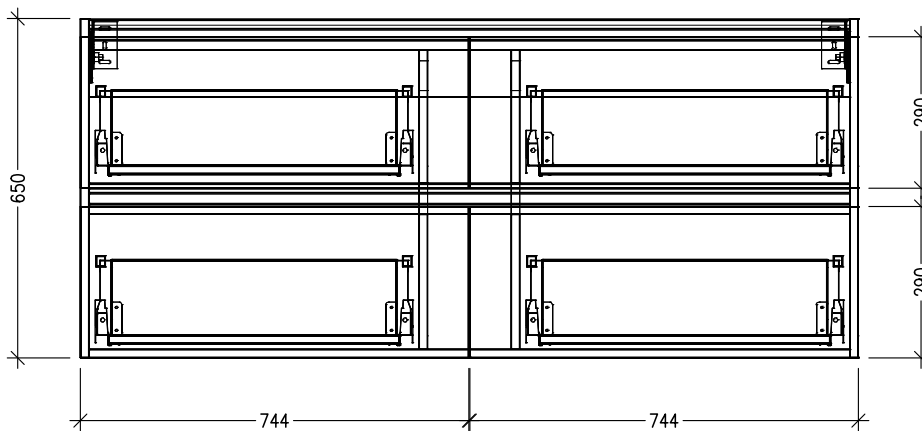
*Note: Vessel basins are purchased separately.
Visit www.newtech.co.nz for the full range of vessel basin options.*

Technical Details

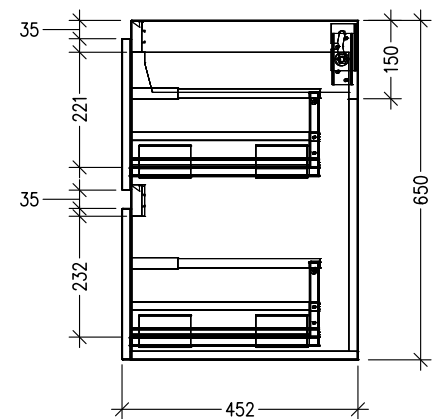
Note: All measurements shown are in millimetres. Sizes are nominal.



TOP VIEW



FRONT VIEW



SIDE VIEW