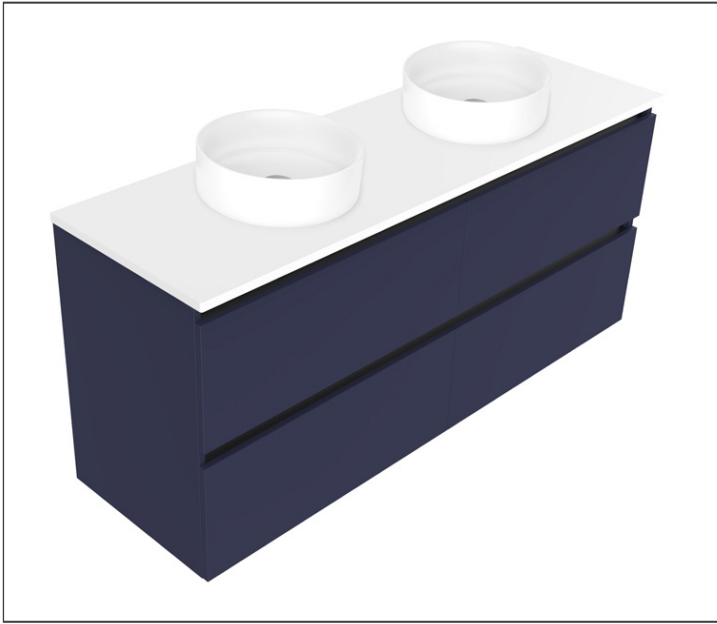


# SPECIFICATION SHEET

## Oxley Luxe 1500 4-Drawer Double Basin Wall Hung Vanity

Newtech Code : 4490



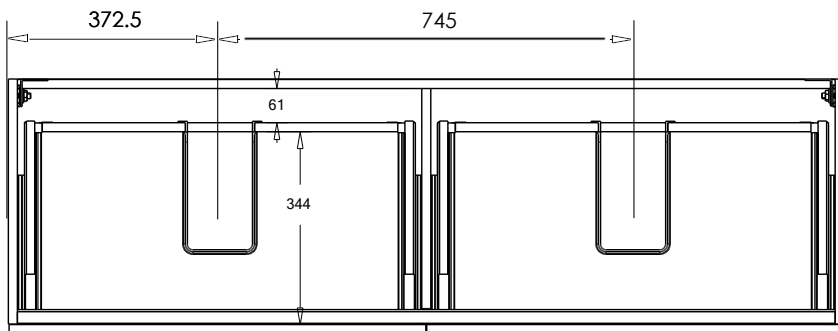
### Features

- 4-Drawer Wall Hung Vanity with Slab Top
- Full Extension Soft Close Drawers with Extrusions  
- *Extrusion upgrade options available*
- Dimensions: H670 x W1500 x D465
- Slab Top Options:  
20mm StoneCast or Acrylic Solid Surface Slab Top

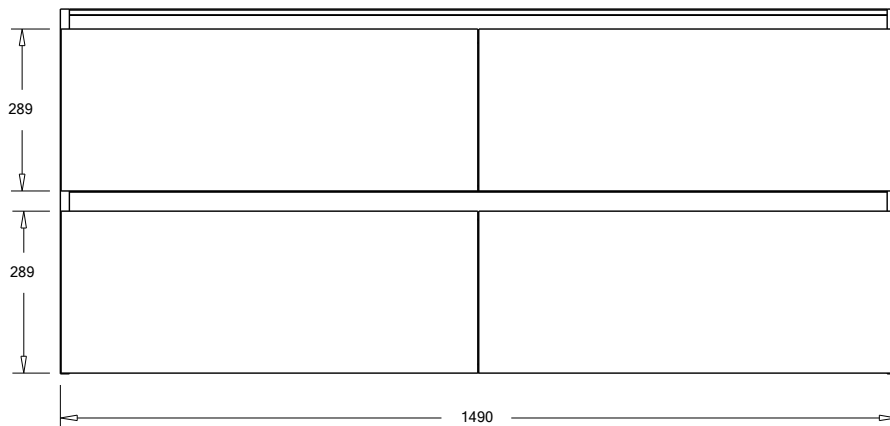
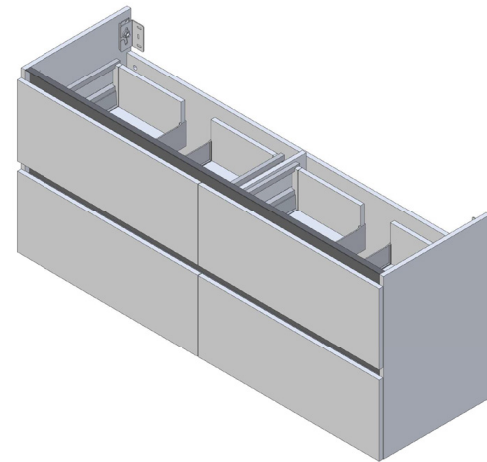
*Note: Vessel basins are purchased separately.  
Visit [www.newtech.co.nz](http://www.newtech.co.nz) for the full range of vessel basin options.*

### Technical Details

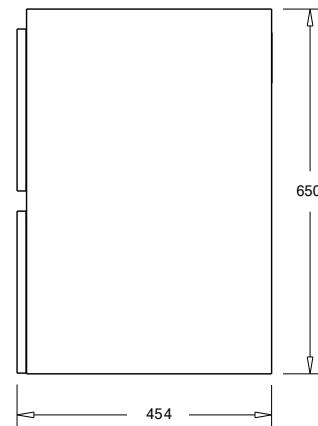
Note: All measurements shown are in millimetres. Sizes are nominal.



TOP VIEW



FRONT VIEW



SIDE VIEW