

# SPECIFICATION SHEET

## Oxley 900 2-Drawer Floorstanding Vanity

Code: 6640



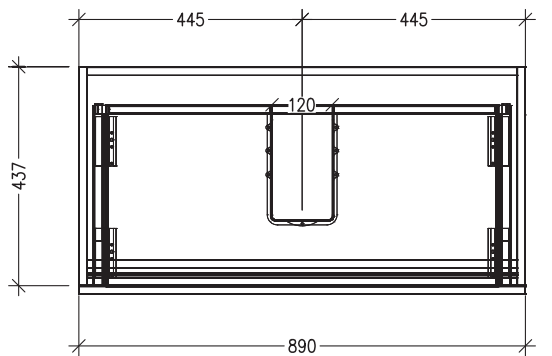
### Features

- 2-Drawer Floorstanding Vanity with Inset Basin
- Single Inset Basin
- Full Extension Soft Close Drawers with Extrusion - *Extrusion upgrade options available*
- Dimensions: H820 x W900 x D465

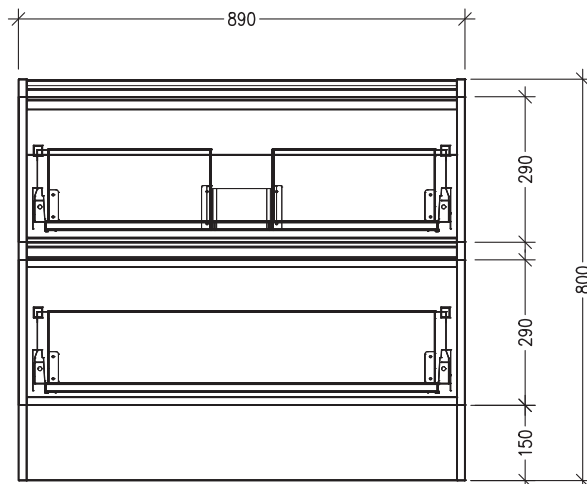
See [www.newtech.co.nz](http://www.newtech.co.nz) for the full range of basin, colour and extrusion options.

### Technical Details

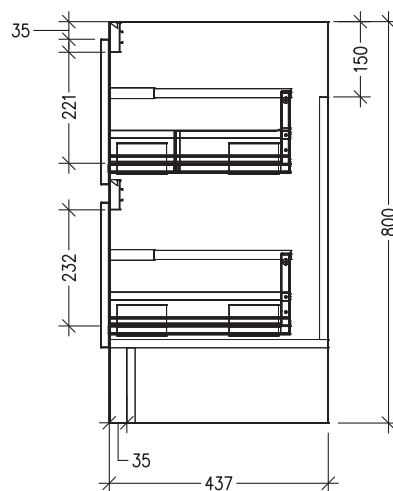
Note: All measurements shown are in millimetres. Sizes are nominal.



TOP VIEW



FRONT VIEW



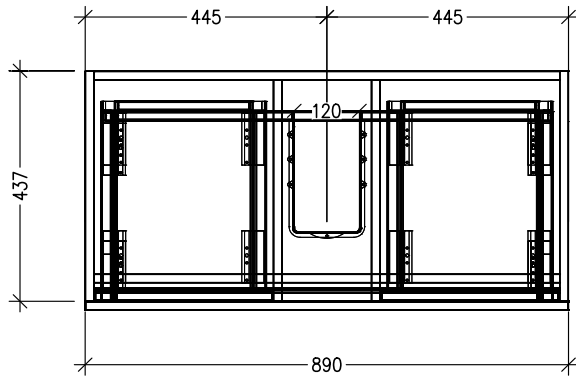
SIDE VIEW

# SPECIFICATION SHEET

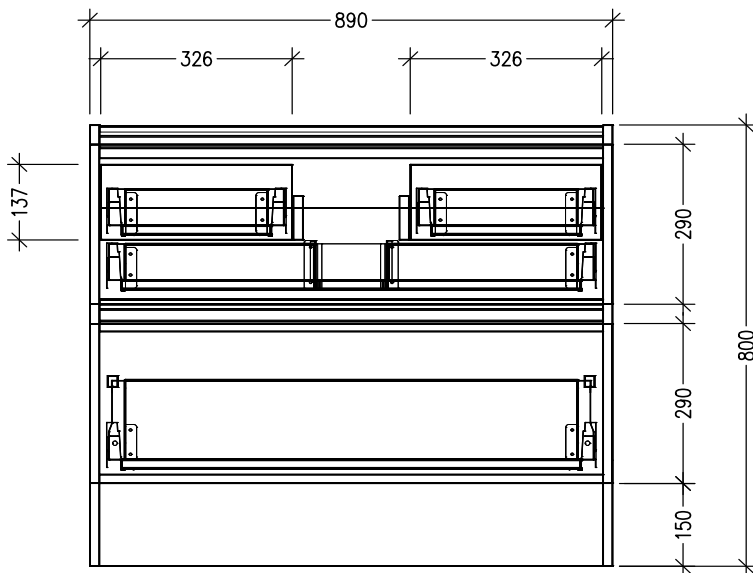
## Oxley 900 2-Drawer Floorstanding Vanity with cosmetic drawers

Newtech Code: COSLR,COSL,COSR

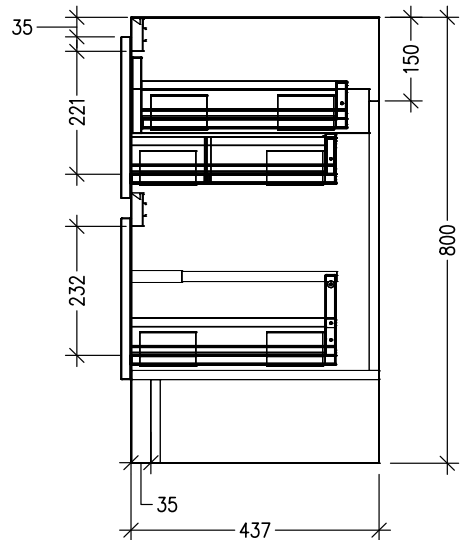
### Technical Details



TOP VIEW



FRONT VIEW



SIDE VIEW

Note: Drawings shown are for COSLR. When COSL or COSR is selected please ignore the opposite cosmetic drawer in the drawings as the opposite side would be a full depth drawer.