

SPECIFICATION SHEET

Oxley 600 2-Drawer Floorstanding Vanity

Code: 6632



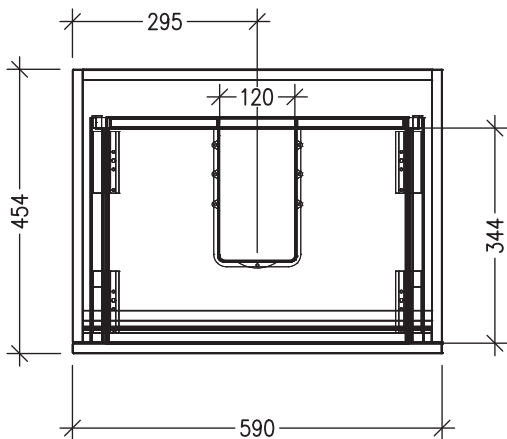
Features

- 2-Drawer Floorstanding Vanity with Inset Basin
- Single Inset Basin
- Full Extension Soft Close Drawers with Extrusion - *Extrusion upgrade options available*
- Dimensions: H820 x W600 x D465

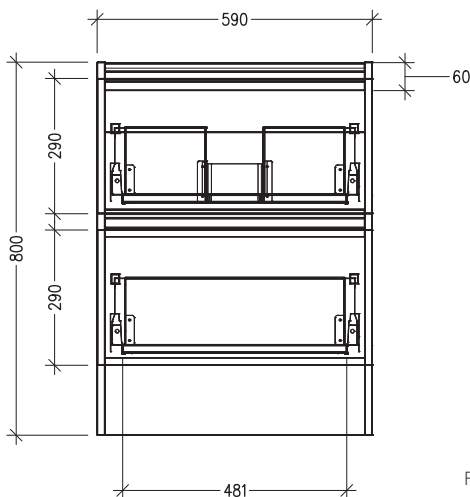
See www.newtech.co.nz for the full range of basin, colour and extrusion options.

Technical Details

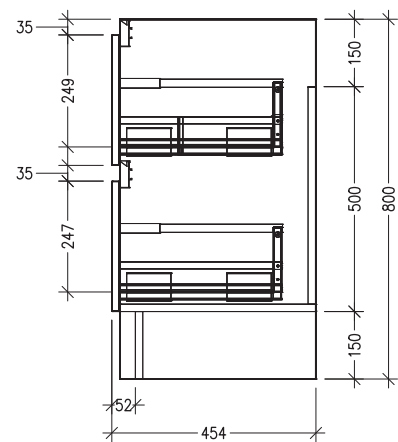
Note: All measurements shown are in millimetres. Sizes are nominal.



TOP VIEW



FRONT VIEW



SIDE VIEW

SIDE VIEW