



MOTIVO TAPWARE RANGE

INSTALLATION, PRODUCT CARE & WARRANTY

SHOWER/BATH MIXER - MT8106



Thank you for purchasing Newtech Tapware.

Your Newtech Tapware has been crafted using high quality durable stainless steel and will have a long lasting and productive life, provided it is used in accordance with manufacturers general conditions.

Your Newtech Tapware must be installed by a registered plumber.

CARE OF YOUR NEWTECH TAPWARE

To clean, use water with a soft damp cloth. Any harsh scrubbing or scratching of the product surface is strictly prohibited, same to the use of any cleaning products which contain acid or any corrosive agents.

WARRANTY

For all warranty information please refer to www.newtech.co.nz/warranty.

INSTALLATION

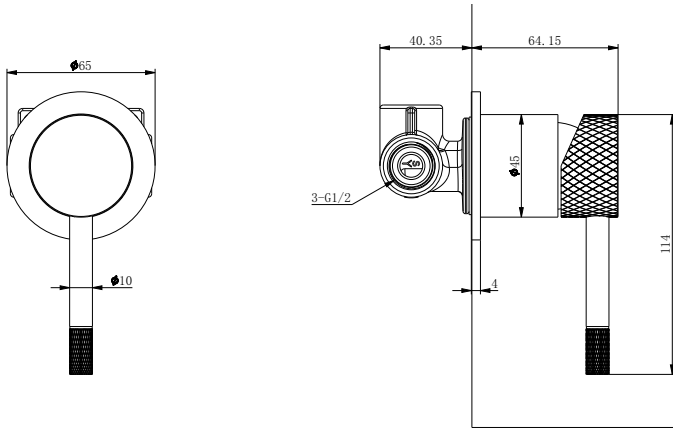
For pressure exceeding 5 bar/500kPa, install a pressure reducing valve. If a system is required to be pressure tested the water supply to the mixer must be capped off prior to testing. If a mixer has been subjected to pressures over 5 bar/500kPa then a new cartridge must be installed, at the installers/owners expense for warranty to be valid.

Thoroughly flush all pipes to eliminate any remaining dirt and residue and install inline filters and ensure water temperature does not exceed 65°C and pressure does not exceed 5 bar/500kPa. Turn off water supply before installation and check for leaks after every installation. Failure to do so may void warranty.

CONTACT US

Phone 0800 728 662 Email sales@newtech.co.nz

TECHNICAL DRAWINGS



TECHNICAL SPECIFICATIONS

Suitable for mains pressure only

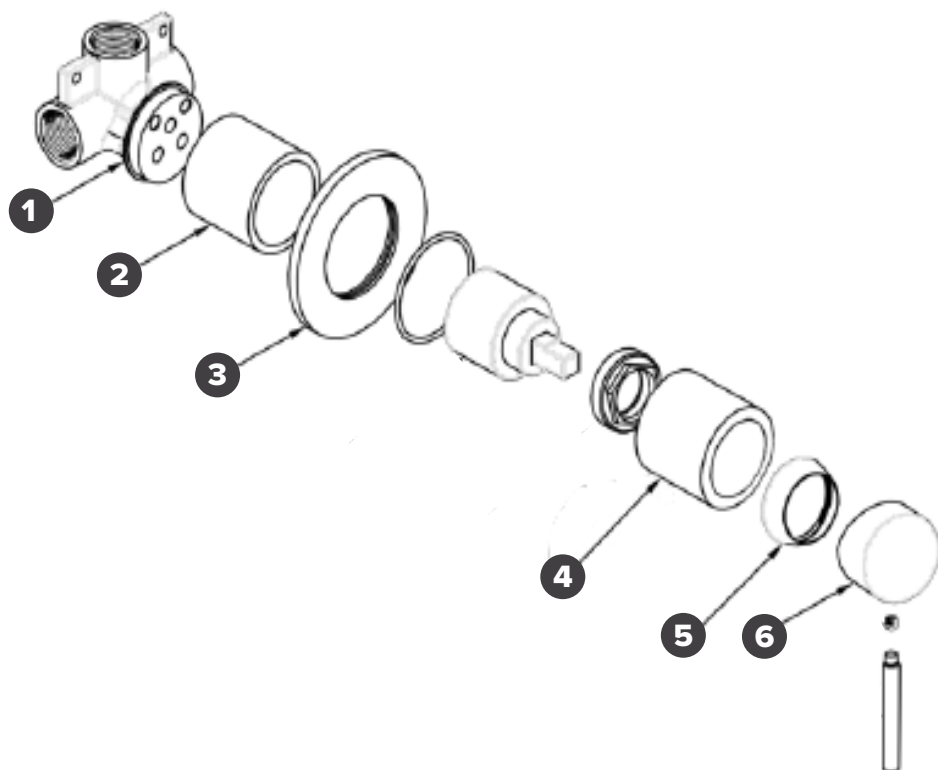
Minimum Pressure = 150kPa

Maximum Operating Pressure = 500kPa (As per NZ Building Code AS/NZ 3500.1)

Maximum Operating Temperature = 65°C

For Domestic use only

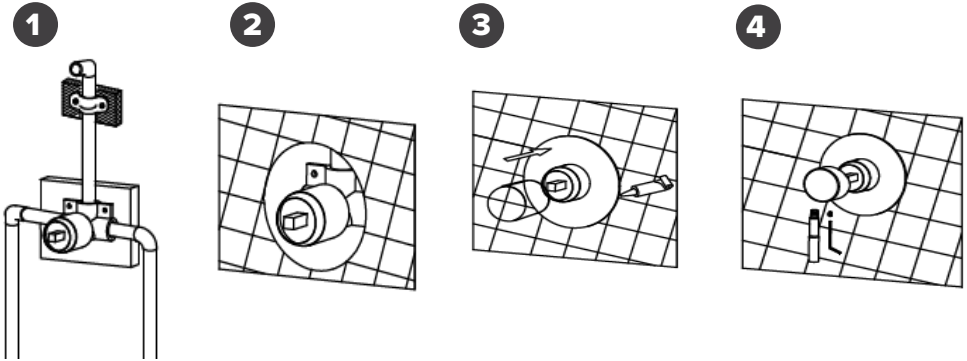
INSTALLATION INSTRUCTIONS



No.	Part Name
1	Valve Body
2	Inside Sleeve
3	Cover
4	Outside Sleeve
5	Decorative Cap
6	Handle

INSTALLATION INSTRUCTIONS

IMPORTANT NOTE: Before starting installation of your tap, turn off the water supply.



No.	Instruction
1	In the correct installation place, fix the shower mixer on the wood block. Connect the hot and cold inlet. Pressure test each separately to ensure the connection is sealed and there are no leaks.
2	Cut the wall tiling hole according to the shape of the cover.
3	Once wall lining is complete, place the inside sleeve into the outside sleeve and install and tighten with the decorative cap.
4	Install the handle.