

# Installation Instructions

## Luma Shine LED Light

Newtech recommends that a registered electrician install this product and that it is installed to the current wiring regulations and in particular to those regulations that include the installation of appliances and accessories in damp environments such as bathrooms. It must be installed in accordance with relevant Australian/New Zealand Standards (AS/NZS).

### ELECTRICAL

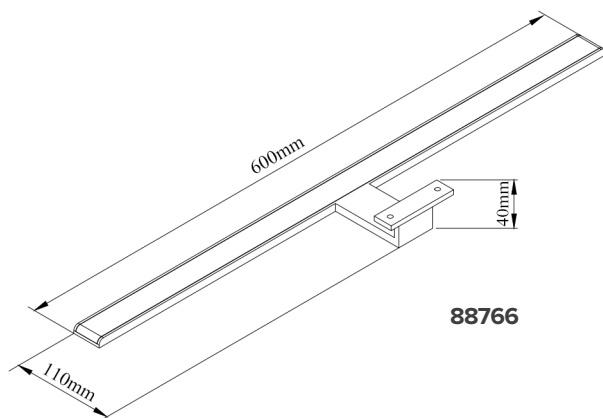
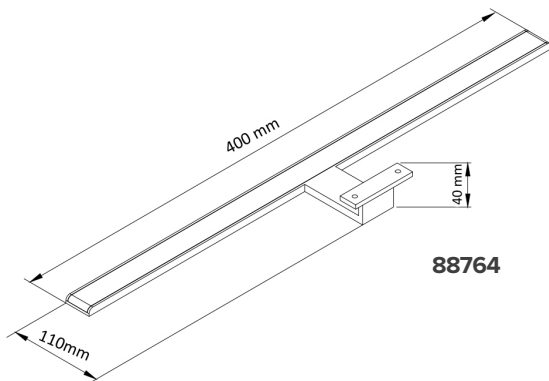
The Luma-Shine is to be hard wired in. It must be wired in with an isolating switch by a registered electrician.

### MOUNTING

The Luma-Shine can be mounted onto a wall or onto the top of a mirror cabinet.

### SPECIFICATIONS & DIMENSIONS

Model	Width(mm)	Lumens	Wattage	Color Temp
88764	400	500-550lm	7W	4000K
88766	600	700-750lm	9W	4000K

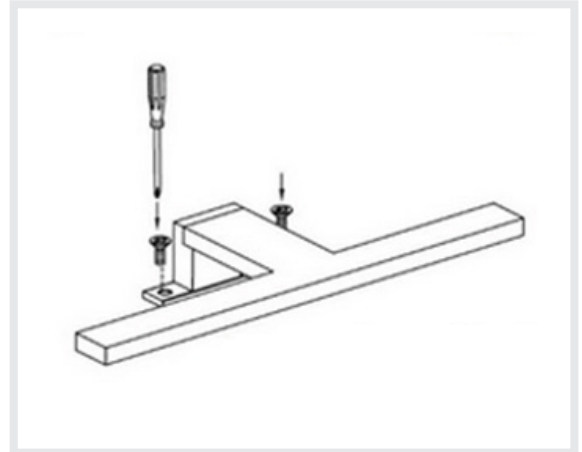


*Disclaimer: Products in these installation instructions must by regulation be installed by a licensed and registered tradesperson. Newtech cannot be held responsible if the installation and use of the LED lighting is not carried out in accordance with these instructions or for materials not supplied by Newtech. The manufacturer/distributor reserves the right to vary specifications without prior notification.*

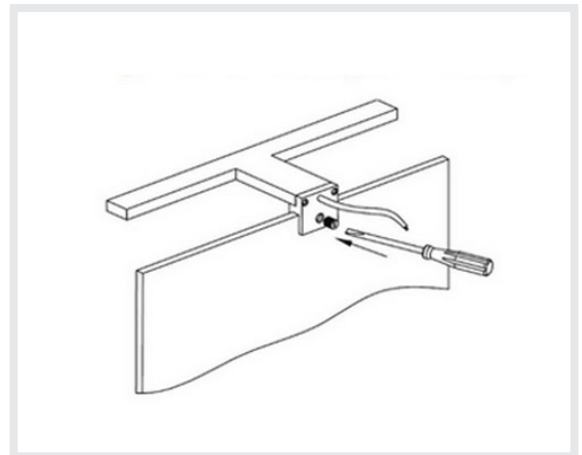
# Installation Instructions

## INSTALLATION FOR CABINET MOUNTED

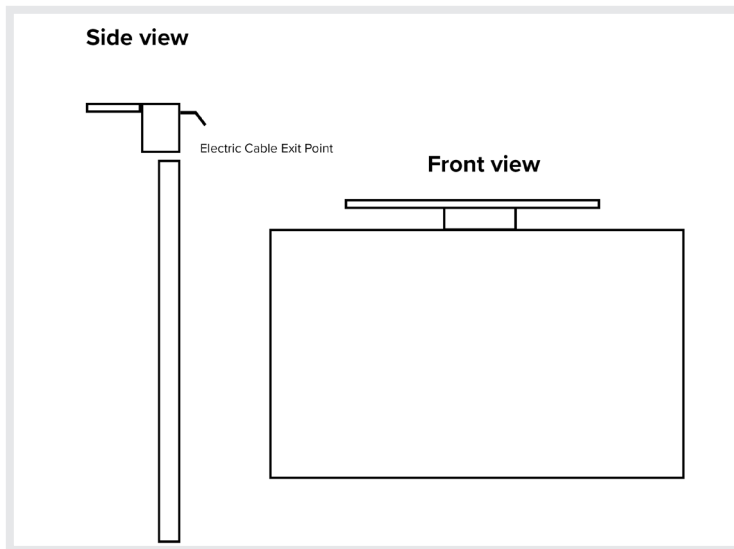
1. Install the mirror cabinet to the height decided by the homeowner.
2. Position the mirror light as far forward at the top of the mirror cabinet and secure down using the fixing screws provided
3. Connect the wiring of the mirror light into a isolating switch (this must be done by a registered electrician)



ON THE CABINET

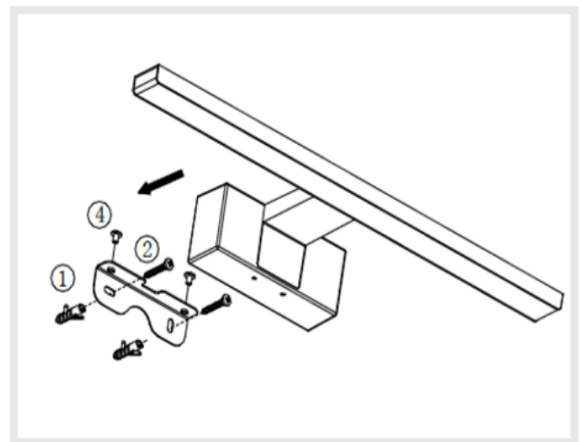


ON THE MIRROR



## INSTALLATION FOR WALL MOUNTED

1. Decide the height of the mirror. The height decided should be based on the desired height of the homeowner.
2. Take off the Cabinet Mounted bracket and install the Wall Mounted box to the Mirror Light.
3. Take off the wall fixing bracket from the Wall Mounting box, and install this in the desired position.
4. Connect the wiring of the mirror light into an isolating switch (this must be done by a registered electrician) and reattach the wall mounting box to the wall bracket.



WALL INSTALLATION