

SPECIFICATION SHEET

900 Kolum Luxe Wall Hung Vanity (2 Drawer)

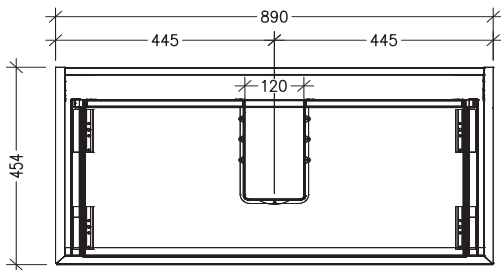
Newtech Code: 10603



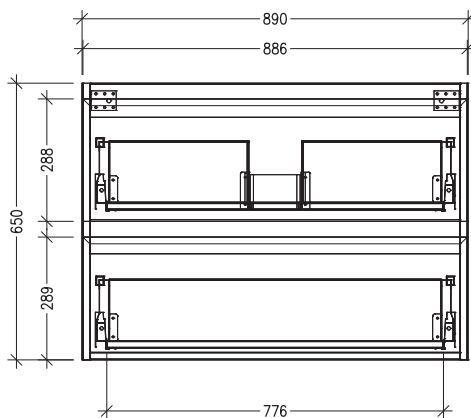
Features

- 2 Drawer
- Soft close Hettich drawer runners
- Drawers with handle or negative detail
- Made of Oak Veener on Birch Ply
- Slab Top Options: 20mm StoneCast Top or Acrylic Solid Surface Slab Tops
- Internal Carcass Option
Matte White - Standard
Anthracite - Upgrade cost applies
- Dimensions: H670 x W900 x D465
- Vessel Basins are purchased separately

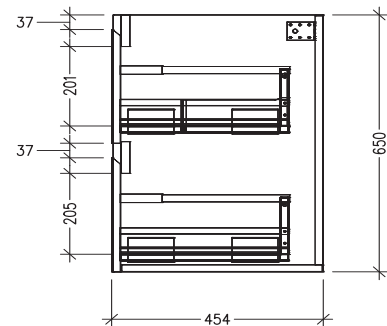
Technical Details



TOP VIEW



FRONT VIEW



SIDE VIEW

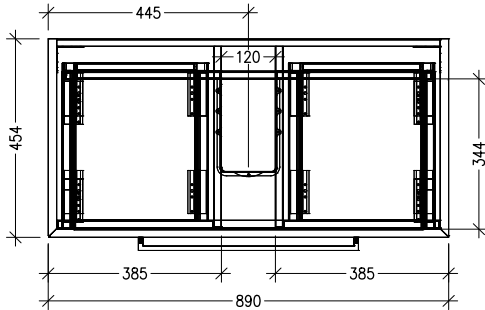
Note: Drawings shown are for negative detail cabinets, for handle cabinets please refer to page 2.

SPECIFICATION SHEET

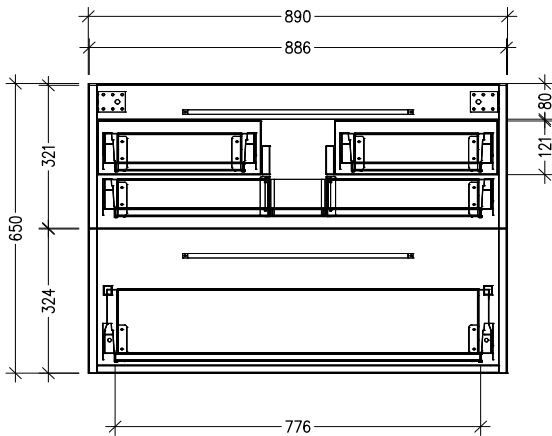
900 Kolum Luxe Wall Hung Vanity (2 Drawer) with cosmetic drawers

Newtech Code: COSLR,COSL,COSR

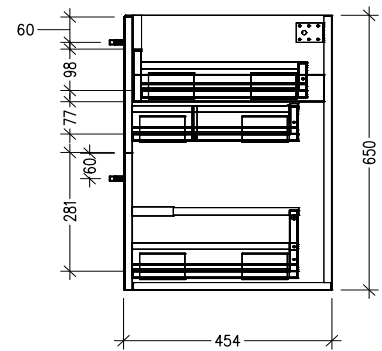
Technical Details



TOP VIEW



FRONT VIEW



SIDE VIEW

Note: Drawings shown are for COSLR. When COSL or COSR is selected please ignore the opposite cosmetic drawer in the drawings as the opposite side would be a full depth drawer.