

SPECIFICATION SHEET

600 Kolum Wall Hung Vanity (2 Drawer)

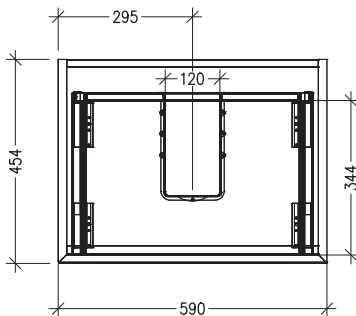
Newtech Code: 10523



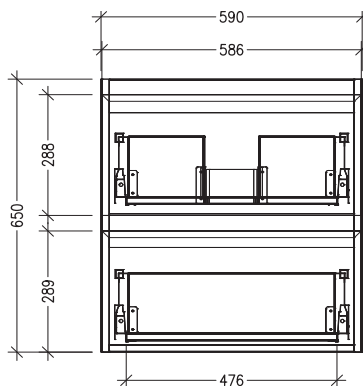
Features

- 2 Drawer
- Soft close Hettich drawer runners
- Drawers with handle or negative detail
- Made of Oak Veener on Birch Ply
- Internal Carcass Option
Matte White - Standard
Anthracite - Upgrade cost applies
- Dimensions: H670 x W600 x D465

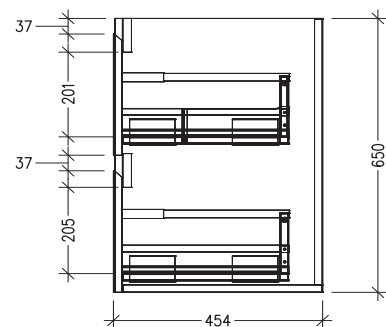
Technical Details



TOP VIEW



FRONT VIEW



SIDE VIEW

Note: Drawings shown are for negative detail cabinets. When handle option is selected the drawer heights will be 321mm for the top drawers and 324mm for the bottom drawers.