

SPECIFICATION SHEET

Harrow Slim 900 1-Drawer Wall Hung Vanity

Newtech Code: 5228



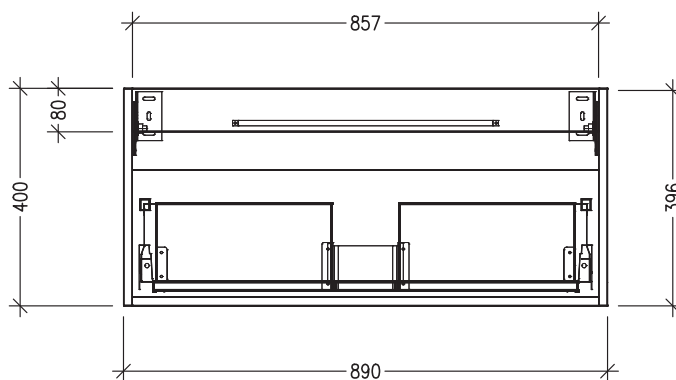
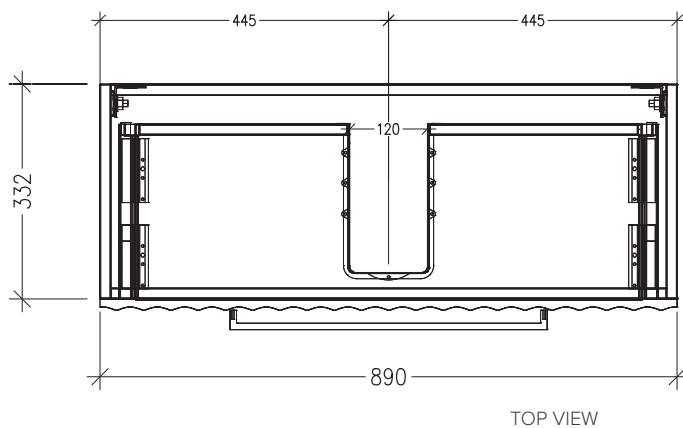
Features

- 1-Drawer Wall Hung Vanity with Inset Basin
- StoneCast 50mm Basin
- Full Extension Soft Close Drawers with Handle - *Handle upgrade options available*
- Dimensions: H420 x W900 x D350

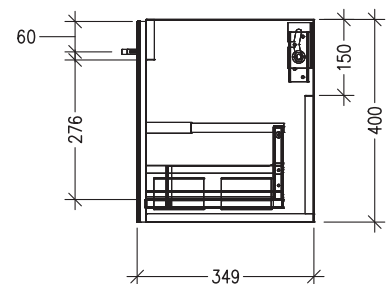
See www.newtech.co.nz for the full range of basin, colour and handle options.

Technical Details

Note: All measurements shown are in millimetres. Sizes are nominal.



FRONT VIEW



SIDE VIEW