

# SPECIFICATION SHEET

## Harrow Luxe 600 2-Drawer Wall Hung Vanity

Newtech Code: 6647



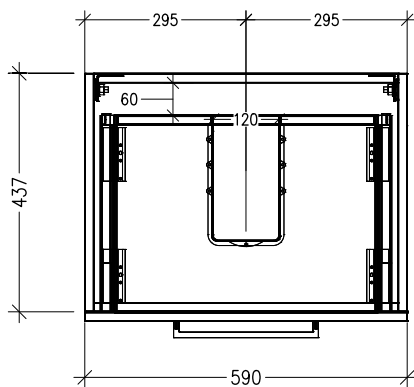
### Features

- 2-Drawer Wall Hung Vanity with Slab Top
- Single Basin
- Full Extension Soft Close Drawers with Handle - *Handle upgrade options available*
- 20mm Slab Top - *Slab Top options available*
- Dimensions: H670 x W600 x D465

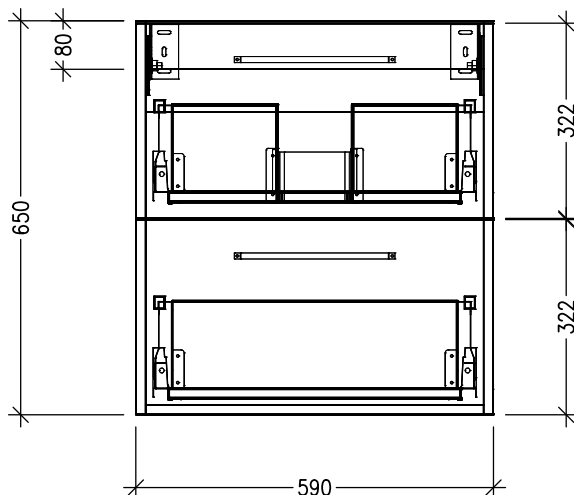
*Note: Vessel basins are purchased separately.  
See [www.newtech.co.nz](http://www.newtech.co.nz) for the full range of basin, colour and handle options.*

### Technical Details

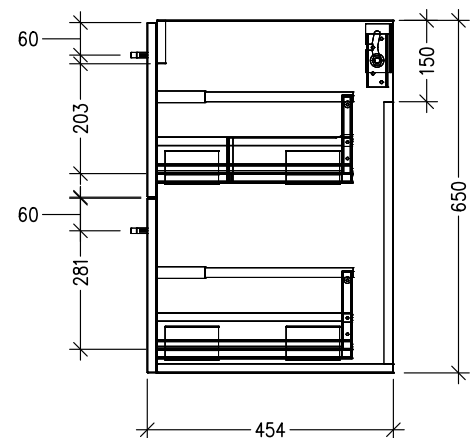
Note: All measurements shown are in millimetres. Sizes are nominal.



TOP VIEW



FRONT VIEW



SIDE VIEW