

SPECIFICATION SHEET

Harrow Luxe 600 1-Drawer Wall Hung Vanity

Newtech Code: 6645



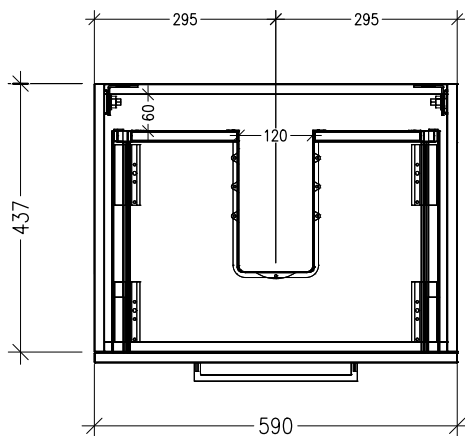
Features

- 1-Drawer Wall Hung Vanity with Slab Top
- Full Extension Soft Close Drawers with Handle - *Handle upgrade options available*
- 20mm Slab Top - *Slab Top options available*
- Dimensions: H420 x W600 x D465

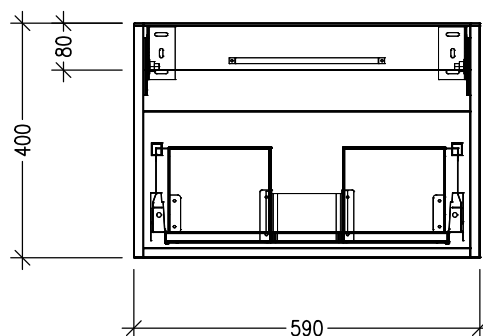
*Note: Vessel basins are purchased separately.
See www.newtech.co.nz for the full range of basin, colour and handle options.*

Technical Details

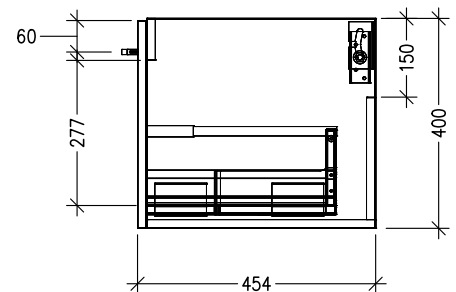
Note: All measurements shown are in millimetres. Sizes are nominal.



TOP VIEW



FRONT VIEW



SIDE VIEW