

SPECIFICATION SHEET

Harrow 600 2-Drawer Wall Hung Vanity

Newtech Code: 4636



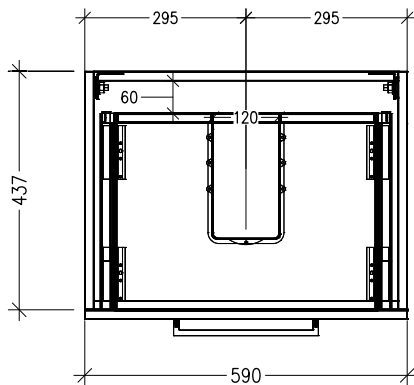
Features

- 2-Drawer Wall Hung Vanity with Inset Basin
- StoneCast 20mm Via Basin [Standard] - Upgrade options available
- Full Extension Soft Close Drawers with Handle - *Handle upgrade options available*
- Dimensions: H670 x W600 x D465

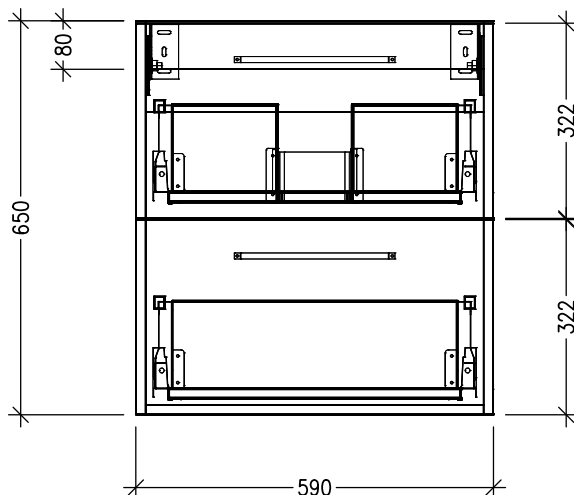
See www.newtech.co.nz for the full range of basin, colour and handle options.

Technical Details

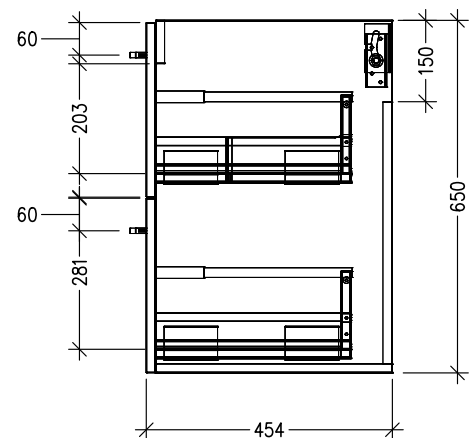
Note: All measurements shown are in millimetres. Sizes are nominal.



TOP VIEW



FRONT VIEW



SIDE VIEW