

SPECIFICATION SHEET

Harrow 600 2-Drawer Floorstanding Vanity

Code: 6350



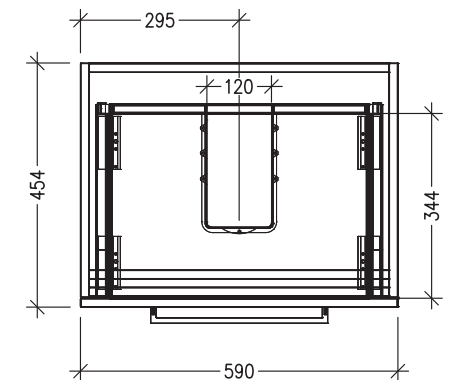
Features

- 2-Drawer Floorstanding Vanity with Inset Basin
- Single Inset Basin
- Full Extension Soft Close Drawers with Handle - *Handle upgrade options available*
- Dimensions: H820 x W600 x D465

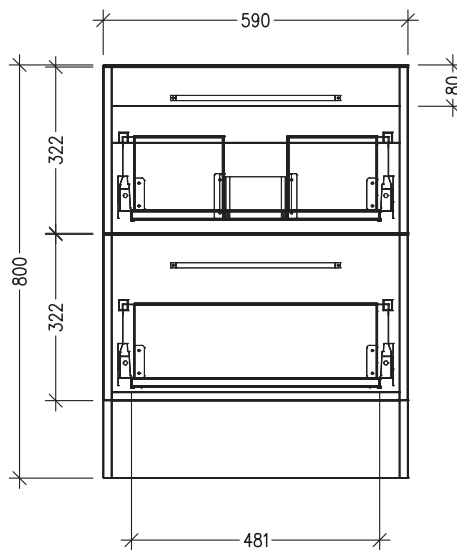
See www.newtech.co.nz for the full range of basin, colour and extrusion options.

Technical Details

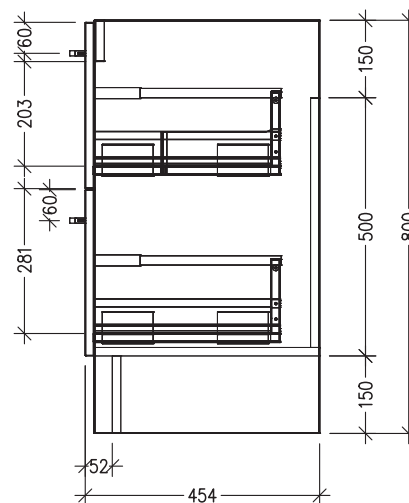
Note: All measurements shown are in millimetres. Sizes are nominal.



TOP VIEW



FRONT VIEW



SIDE VIEW