

SPECIFICATION SHEET

Harrow 500 1-Door Wall Hung Vanity Left Hinge

Newtech Code: 4656L



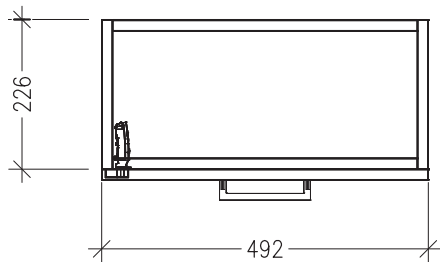
Features

- 1-Door Wall Hung Vanity
- 50mm StoneCast Interchangeable Basin
- Soft Close Door with Handle
- Left Hinge
- Dimensions
Cabinet: H400 x W492 x D242
Basin: H50 x W500 x D250

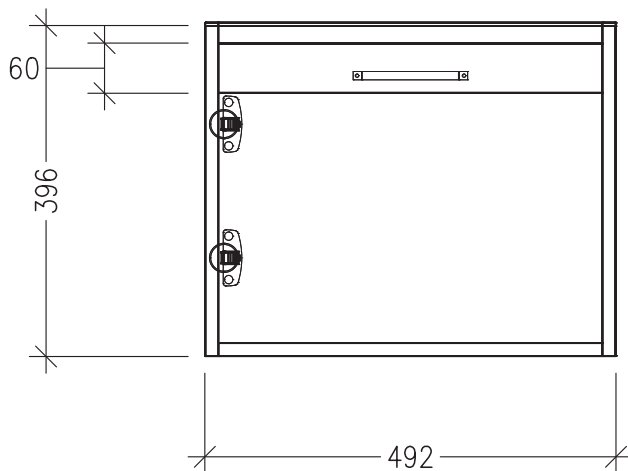
See www.newtech.co.nz for the full range of basin, colour and handle options.

Technical Details

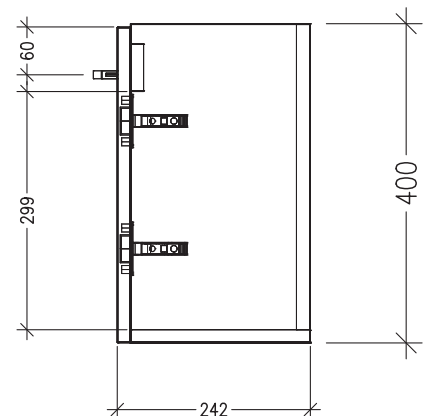
Note: All measurements shown are in millimetres. Sizes are nominal.



TOP VIEW



FRONT VIEW



SIDE VIEW

SPECIFICATION SHEET

Harrow 500 1-Door Wall Hung Vanity Right Hinge

Newtech Code: 4656R



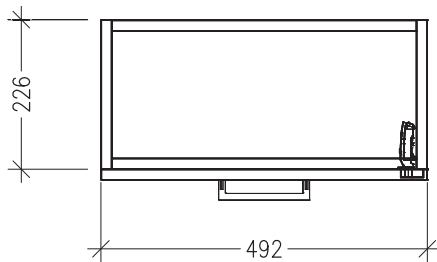
Features

- 1-Door Wall Hung Vanity
- 50mm StoneCast Interchangeable Basin
- Soft Close Door with Handle
- Right Hinge
- Dimensions
Cabinet: H400 x W492 x D242
Basin: H50 x W500 x D250

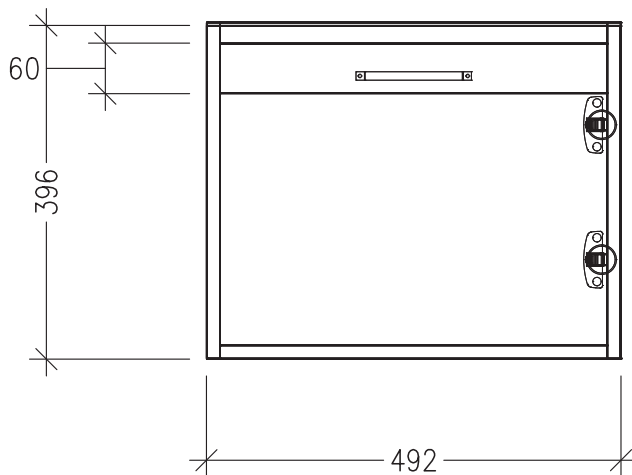
See www.newtech.co.nz for the full range of basin, colour and handle options.

Technical Details

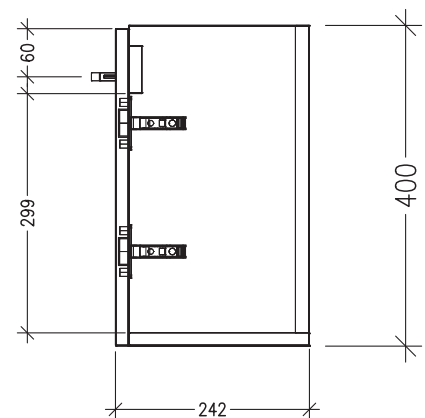
Note: All measurements shown are in millimetres. Sizes are nominal.



TOP VIEW



FRONT VIEW



SIDE VIEW