

SPECIFICATION SHEET

Harrow 1500 2-Drawer Wall Hung Vanity Single Basin

Newtech Code: 4626



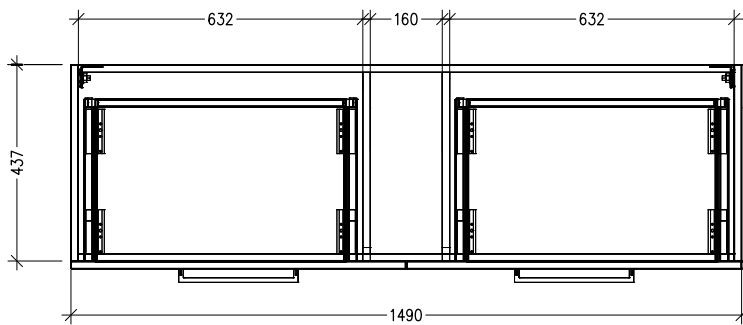
Features

- 2-Drawer Wall Hung Vanity with Inset Basin
- StoneCast 20mm Via Single Basin [Standard] - Upgrade options available
- Full Extension Soft Close Drawers with Handle - *Handle upgrade options available*
- Dimensions: H420 x W1500 x D465

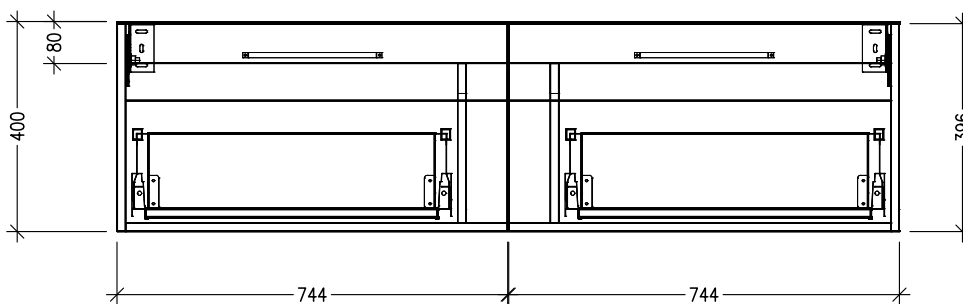
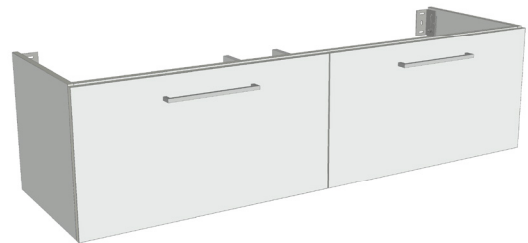
See www.newtech.co.nz for the full range of basin, colour and handle options.

Technical Details

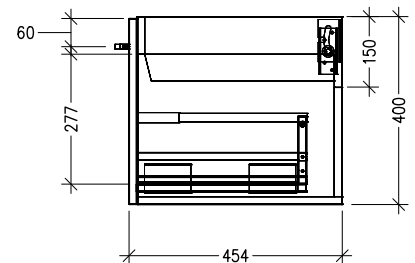
Note: All measurements shown are in millimetres. Sizes are nominal.



TOP VIEW



FRONT VIEW



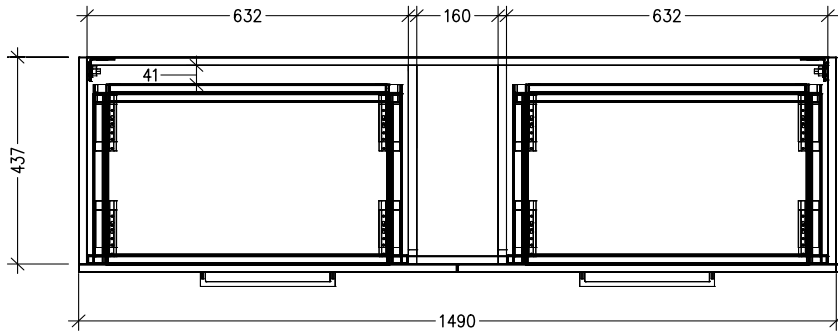
SIDE VIEW

SPECIFICATION SHEET

Harrow 1500 2-Drawer Wall Hung Vanity Single Basin with cosmetic drawers

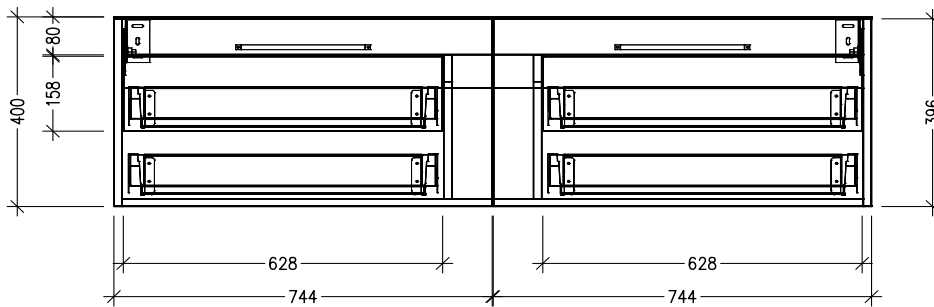
Newtech Code: COSLR,COSL,COSR

Technical Details

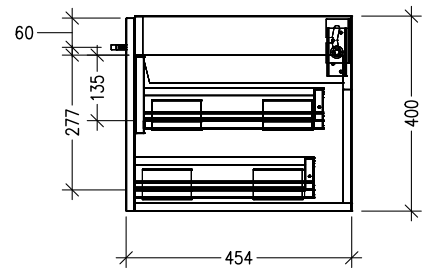


TOP VIEW

Note: Drawings shown are for COSLR. When COSL or COSR is selected please ignore the opposite cosmetic drawer in the drawings as the opposite side would be a full depth drawer.



FRONT VIEW



SIDE VIEW