

# SPECIFICATION SHEET

## Harrow 1200 2-Drawer Wall Hung Vanity, Right Offset Basin

Code: 4618R



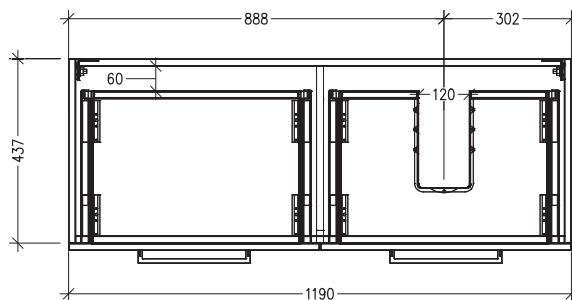
### Features

- 2-Drawer Wall Hung Vanity with Inset Basin
- Right Offset Basin Vanity
- Full Extension Soft Close Drawers with Handle - *Handle upgrade options available*
- Dimensions: H420 x W1200 x D465

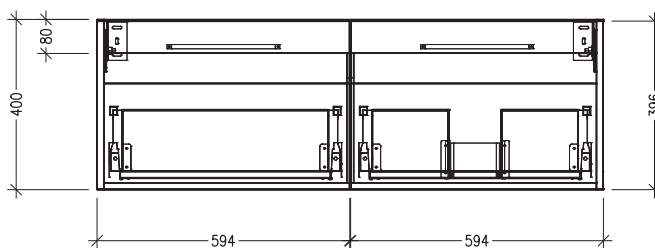
See [www.newtech.co.nz](http://www.newtech.co.nz) for the full range of basin, colour and extrusion options.

### Technical Details

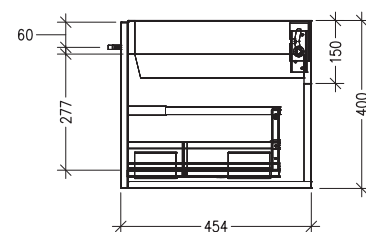
Note: All measurements shown are in millimetres. Sizes are nominal.



TOP VIEW



FRONT VIEW



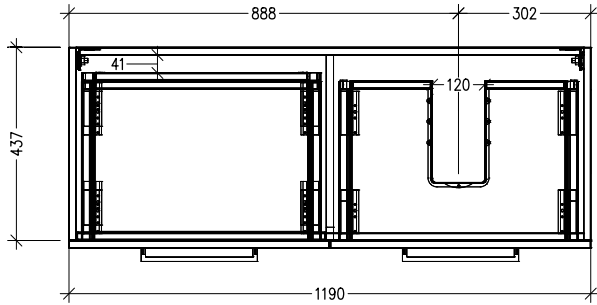
SIDE VIEW

# SPECIFICATION SHEET

## Harrow 1200 2-Drawer Wall Hung Vanity, Right Offset Basin with cosmetic drawers

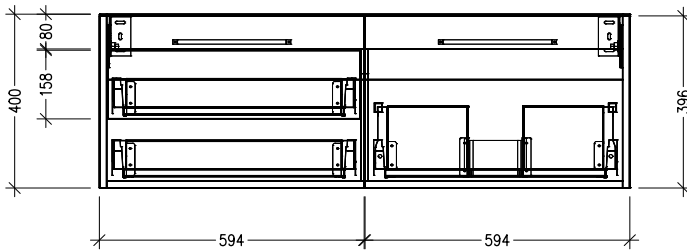
Newtech Code: COSL

### Technical Details

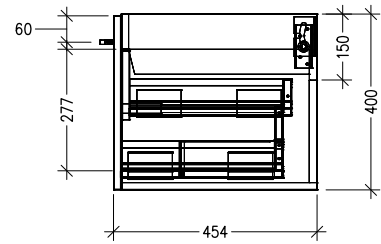


TOP VIEW

Note: Drawings shown are for COSL only. No other cosmetic drawer option is available on this vanity.



FRONT VIEW



SIDE VIEW