

# SPECIFICATION SHEET

## Frank Slim Plus 600mm 2 Drawer Floorstanding



### Features

- Floorstanding
- 2 Drawer
- Extrusion Rail
  - Matte White Vanities = Matte White Extrusion*
  - Charred Elm Vanities = Matte Black Extrusion*
  - Planked Urban Oak Vanities = Brushed Nickel Extrusion*
- 20mm Frank Basin with Overflow
- Dimensions: H820 x W600 x D360
- Designed & Assembled in NZ

### Colour Options with Code



Matte White  
2772MW



Charred Elm  
2772CE

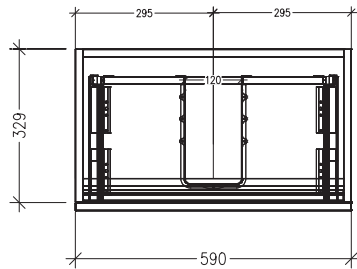


Planked Urban Oak  
2772PUO

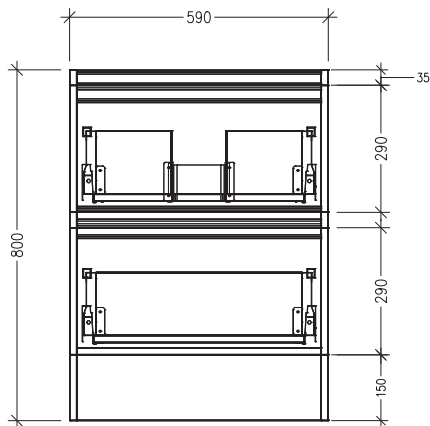


### Technical Details

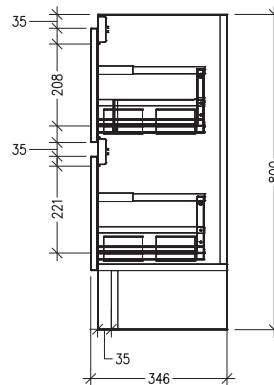
Note: All measurements shown are in millimetres. Sizes are nominal.



TOP VIEW



FRONT VIEW



SIDE VIEW

