

SPECIFICATION SHEET

Frank Slim Plus 600mm 1 Drawer Wall Vanity



Features

- Wall Hung
- 1 Drawer
- Extrusion Rail
 - Matte White Vanities = Matte White Extrusion*
 - Charred Elm Vanities = Matte Black Extrusion Planked*
 - Urban Oak Vanities = Brushed Nickel Extrusion*
- 20mm Frank Basin with Overflow
- Dimensions: H420 x W600 x D360
- Designed & Assembled in NZ

Colour Options with Code



Matte White
2732MW



Charred Elm
2732CE

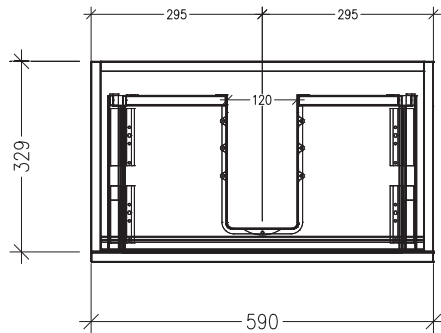


Planked Urban Oak
2732PUO

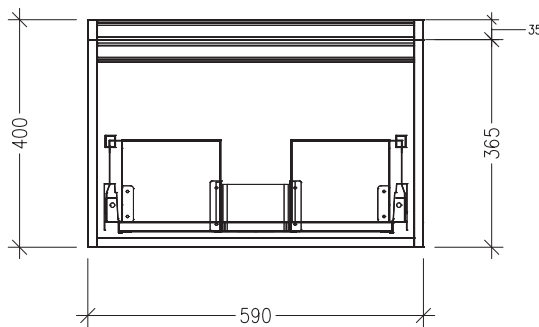
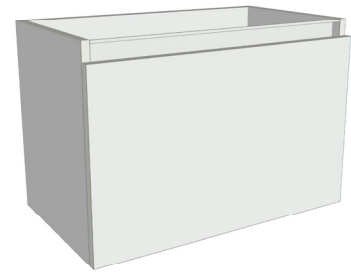


Technical Details

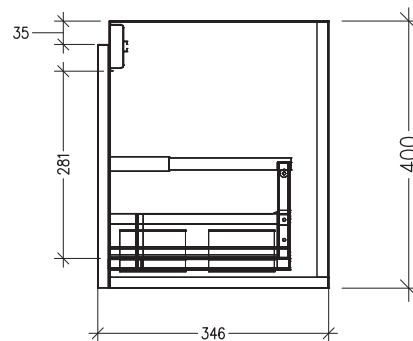
Note: All measurements shown are in millimetres. Sizes are nominal.



TOP VIEW



FRONT VIEW



SIDE VIEW