

SPECIFICATION SHEET

Frank Plus 750mm 2 Drawer Floorstanding



Features

- Floorstanding
- 2 Drawer
- Extrusion Rail
 - Matte White Vanities = Matte White Extrusion*
 - Charred Elm Vanities = Matte Black Extrusion Planked*
 - Urban Oak Vanities = Brushed Nickel Extrusion*
- 20mm Frank Basin with Overflow
- fDimensions: H820 x W750 x D465
- Designed & Assembled in NZ

Colour Options with Code



Matte White
9288MW



Charred Elm
9288CE

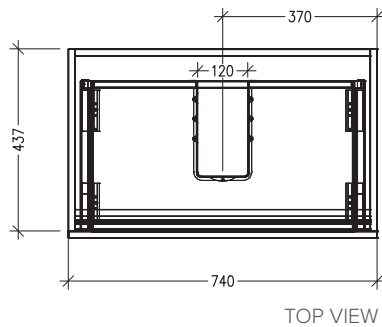


Planked Urban Oak
9288PUO

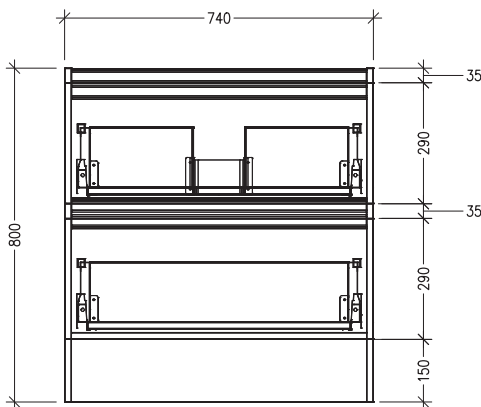


Technical Details

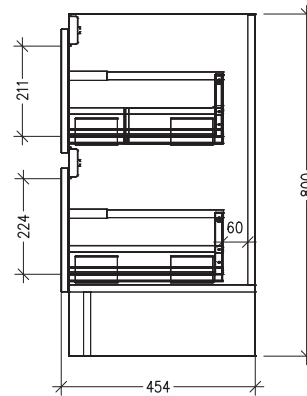
Note: All measurements shown are in millimetres. Sizes are nominal.



TOP VIEW



FRONT VIEW



SIDE VIEW