

SPECIFICATION SHEET

Frank Plus 600mm 2 Drawer Floorstanding



Features

- Floorstanding
- 2 Drawer
- Extrusion Rail
 - Matte White Vanities = Matte White Extrusion*
 - Charred Elm Vanities = Matte Black Extrusion*
 - Planked Urban Oak Vanities = Brushed Nickel Extrusion*
- 20mm Frank Basin with Overflow
- Dimensions: H820 x W600 x D465
- Designed & Assembled in NZ

Colour Options with Code



Matte White
9284MW



Charred Elm
9284CE

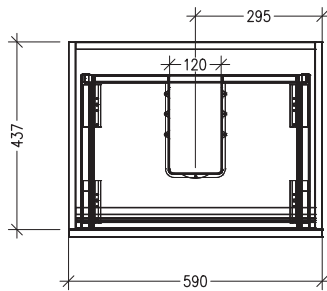


Planked Urban Oak
9284PUO

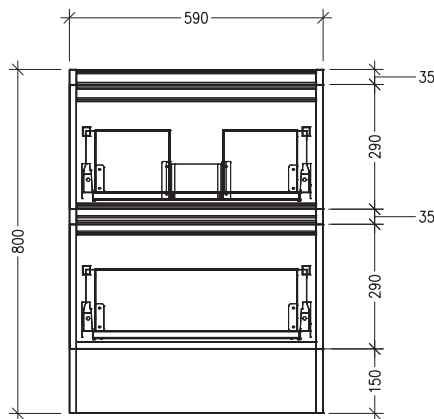


Technical Details

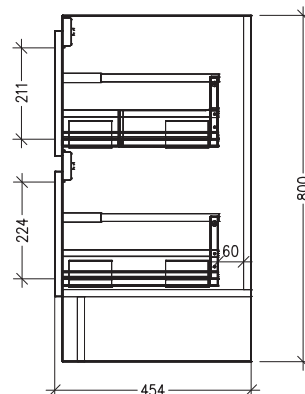
Note: All measurements shown are in millimetres. Sizes are nominal.



TOP VIEW



FRONT VIEW



SIDE VIEW

