

SPECIFICATION SHEET

Frank 400mm 1 Door Wall Vanity



Features

- Wall Hung
- 1 Door, Left Hinge
- Stainless Steel Marco Handle
- 50mm StoneCast Basin with Overflow
- Dimensions: H400 x W400 x D220
- Designed & Assembled in NZ

Colour Options with Code



Matte White
9104MW



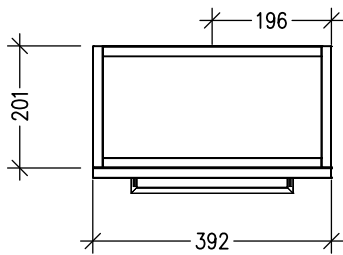
Charred Elm
9104CE



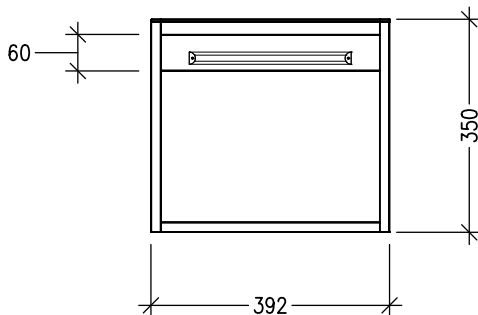
Planked Urban Oak
9104PUO

Technical Details

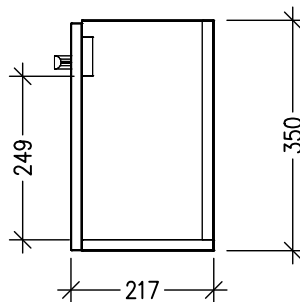
Note: All measurements shown are in millimetres. Sizes are nominal.



TOP VIEW



FRONT VIEW



SIDE VIEW

SPECIFICATION SHEET

StoneCast 400 Basin

Code: TI400



Features

- Made in Europe
- 50mm Thick
- Interchangeable Left and Right Tap Hole
- Dimensions: W400 x D225 x H50

Technical Details

