

# SPECIFICATION SHEET

## Francisco 1200 2-Drawer Wall Hung Vanity

Newtech Code: 4726



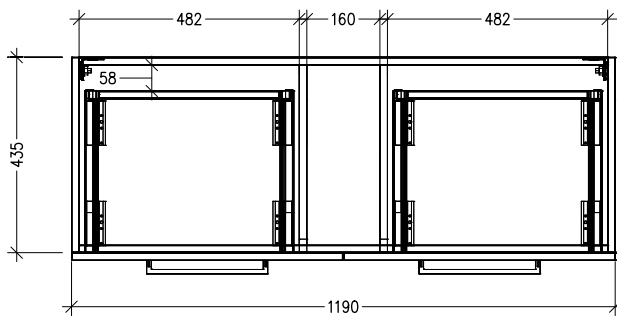
### Features

- 2-Drawer Wall Hung Vanity with Inset Basin
- Single Inset Basin
- Full Extension Soft Close Drawers with Handle - *Handle upgrade options available*
- Designer Drawer Front
- Dimensions: H420 x W1200 x D465

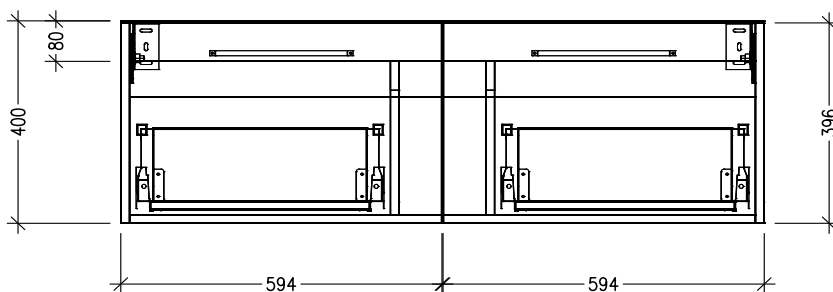
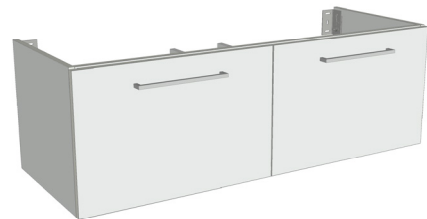
See [www.newtech.co.nz](http://www.newtech.co.nz) for the full range of basin, colour and handle options.

### Technical Details

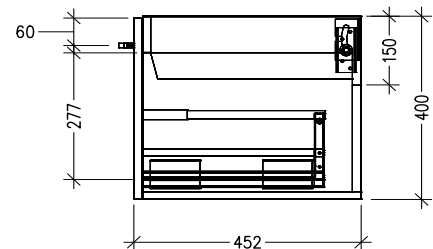
Note: All measurements shown are in millimetres. Sizes are nominal.



TOP VIEW



FRONT VIEW



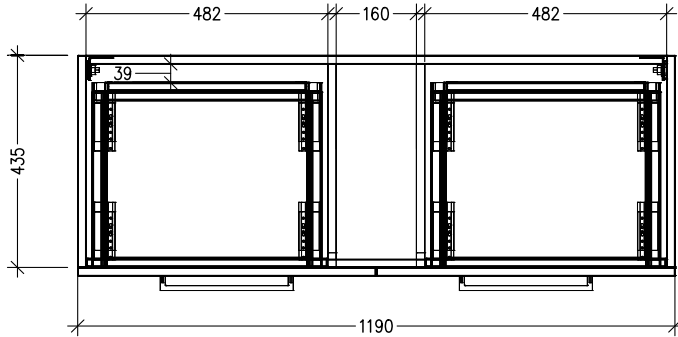
SIDE VIEW

# SPECIFICATION SHEET

## Francisco 1200 2-Drawer Wall Hung Vanity with cosmetic drawers

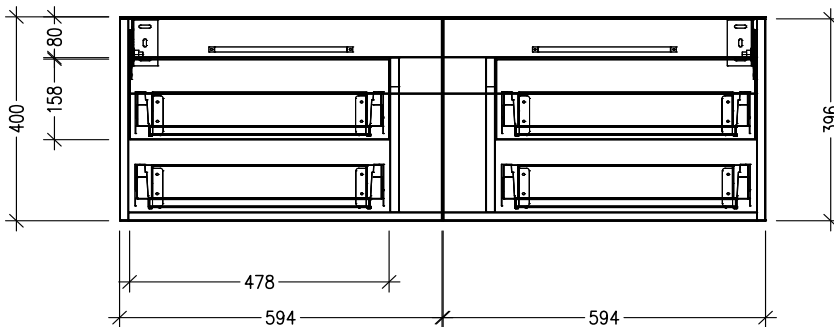
Code: COSLR,COSL,COSR

### Technical Details

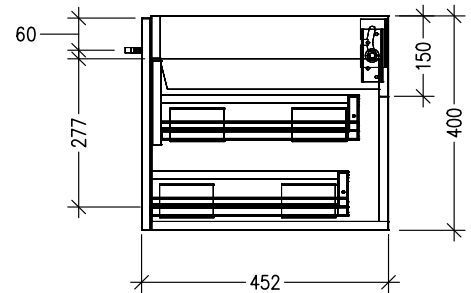


TOP VIEW

Note: Drawings shown are for COSLR. When COSL or COSR is selected please ignore the opposite cosmetic drawer in the drawings as the opposite side would be a full depth drawer.



FRONT VIEW

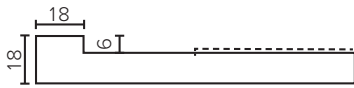
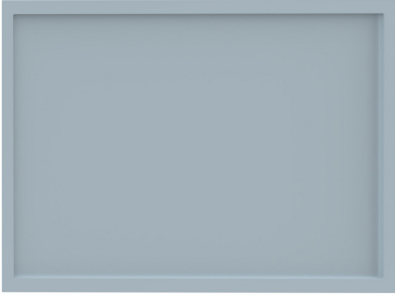


SIDE VIEW

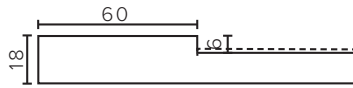
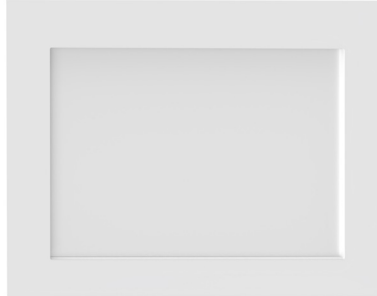
# SPECIFICATION SHEET

## Designer Drawer/Door Fronts

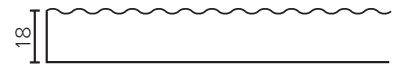
BARNSLEY  
18mm Inset Frame  
Code: BL



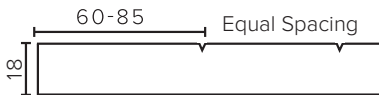
PRESTON  
60mm Inset Frame  
Code: PT



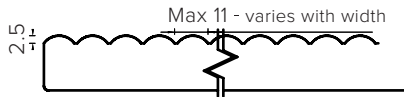
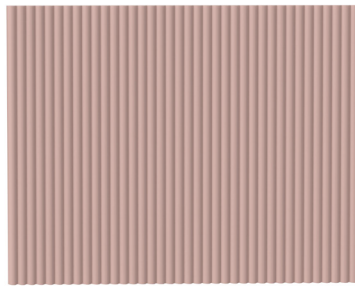
TURNBERRY  
Ripple Design  
Code: TB



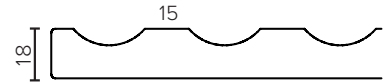
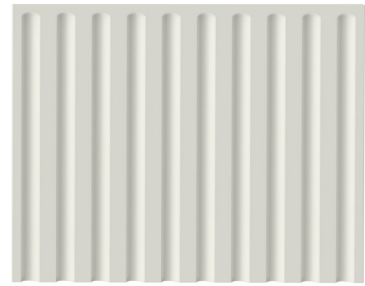
NEWPORT  
V-Groove Panels  
Code: NP



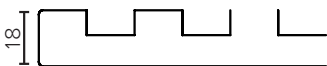
MIAMI  
Little Wave  
Code: MI



LAUREL  
Fluted Lines  
Code: LU



LINCOLN  
Fence Style  
Code: LN



ASPEN  
Scalloped Wave  
Code: AP

