



## **Evoke & Quadro Heated Towel Rail**

INSTALLATION, PRODUCT CARE & WARRANTY



## **Thank you for purchasing a Newtech Heated Towel Rail.**

This heated towel rail has been crafted using high quality durable stainless steel and will have a long lasting and productive life provided it is used in accordance with manufacturers general conditions.

### **This towel rail must be installed by a registered electrician.**

This product is designed to be used at a stabilised temperature of 60°C under towelling, depending on towel dryness and ambient temperature.

This product comes with a ten year warranty. If you feel you have a complaint or issue with this towel rail, in the first instance contact the retailer from whom you purchased this product. Newtech will endeavour to provide a satisfactory outcome for your complaint. If the retailer or installer needs to discuss any installation issues, then please use the following contact details:

**Phone 0800 728 662 Fax 06 344 2597 Email [sales@newtech.co.nz](mailto:sales@newtech.co.nz)**

## **CARE OF YOUR TOWEL RAIL**

To clean, use mild cleaning detergents. Any harsh scrubbing or scratching of the product surface is strictly prohibited, same to the use of any cleaning products which contain acid or any corrosive agents. If you are loving your Newtech Towel warmer tell others; if you are not tell US!

## **WARNING**

This appliance is not intended for use by persons (including children) with reduced physical, sensory or mental capabilities, or lack of experience and knowledge, unless they have been given supervision or instruction concerning use of the appliance by a person responsible for their safety.

Children should be supervised to ensure that they do not play with the appliance.

**WARNING:** In order to avoid a hazard for very young children, this appliance should be installed so that the lowest heated rail is at least 600mm above the floor.

The installation of the towel rail must be performed by a registered electrician and installation is to comply with AS/NZS 60335.

If the supply cord is damaged, it must be replaced by the manufacturer, its service agent or similarly qualified persons in order to avoid a hazard. All pole disconnection in the fixed wiring shall be provided.

## **ELECTRICAL INSTALLATION**

Please ensure your towel warmer is installed by a registered electrician and ensure the electrical supply, plug and switch location, and product location will comply with your local regulations. New Zealand electrical wiring requirements stipulate that this must be adhered to.

We recommend that the towel warmer be installed vertically on a flat and uniform wall, and where possible into studs or other suitable anchor material. If fixing to hollow cavity walls, suitable Toggle Anchors (not supplied) or similar devices must be used.

This appliance must be fitted with an air gap phase isolation switch which isolates the "Phase" and "neutral" in accordance with local wiring regulations.

**This product must be used in conjunction with a hard wired switch.**

## WARRANTY

The Evoke & Quadro Heated Towel Rails offer a 10 Year Warranty in materials and workmanship. Colour finishes Matte Black, Brushed Brass, Gunmetal & Brushed Copper offer a 5 Year Warranty.

To use the warranty repair and service, the customer must provide the purchase invoice/receipt, and any other relevant documents. If the product has problems or develops faults within the warranty period due to normal wear and tear, Newtech at it's discretion will recognise whether it is a faulty product or not. If it is impossible or not economic for the manufacturer to repair the product, the manufacturer will replace the faulty product with a new unit of the same model or; if there is no stock available for the same model, the manufacturer will replace the faulty product with a new unit of a similar size.

The repair service offered within the warranty period only covers the faults and problems developed by the manufacturers errors. Any damage caused by improper use or carelessness is not covered by the warranty. Newtech is not responsible for any monetary loss or injuries caused by improper use of the product.

## SPECIFICATIONS

### Evoke Ladders

Model	Product Size (mm) H X W X D	Power (W)	Vertical Distance	Horizontal Distance
SL115	530 x 600 x 122	53	330	568
SL115B	530 x 600 x 122	66	330	568
SL115NK	530 x 600 x 122	53	330	568
SL115GM	530 x 600 x 122	53	330	568
SL115BB	530 x 600 x 122	53	330	568
SL115CP	530 x 600 x 122	53	330	568
SL115MW	530 x 600 x 122	66	330	568
CL100	800 x 600 x 122	74	600	568
CL100B	800 x 600 x 122	93	600	568
CL100NK	800 x 600 x 122	74	600	568
CL100GM	800 x 600 x 122	74	600	568
CL100BB	800 x 600 x 122	74	600	568
CL100CP	800 x 600 x 122	74	600	568
CL100MW	800 x 600 x 122	93	600	568
SL130	800 x 450 x 122	58	600	418
SL130B	800 x 450 x 122	73	600	418
SL130NK	800 x 450 x 122	58	600	418
SL130GM	800 x 450 x 122	58	600	418
SL130BB	800 x 450 x 122	58	600	418
SL130CP	800 x 450 x 122	58	600	418
SL130MW	800 x 450 x 122	73	600	418
CL120	430 x 600 x 120	42	230	568
SL125	530 x 800 x 122	68	330	768
SL150	1060 x 600 x 122	95	860	568
SL155	1060 x 450 x 122	75	860	418

### Quadro Ladders

Model	Product Size (mm) H X W X D	Power (W)	Vertical Distance	Horizontal Distance
ST65	530 x 600 x 120	56	330	570
ST65B	530 x 600 x 120	68	330	570
ST65NK	530 x 600 x 120	56	330	570
ST65GM	530 x 600 x 120	56	330	570
ST65BB	530 x 600 x 120	56	330	570
ST65CP	530 x 600 x 120	56	330	570
ST65MW	530 x 600 x 120	68	330	570
ST75	800 x 600 x 120	79	600	570
ST75B	800 x 600 x 120	96	600	570
ST75NK	800 x 600 x 120	79	600	570
ST75GM	800 x 600 x 120	79	600	570
ST75BB	800 x 600 x 120	79	600	570
ST75CP	800 x 600 x 120	79	600	570
ST75MW	800 x 600 x 120	96	600	570
ST78	800 x 450 x 120	62	600	420
ST78B	800 x 450 x 120	75	600	420
ST78NK	800 x 450 x 120	62	600	420
ST78GM	800 x 450 x 120	62	600	420
ST78BB	800 x 450 x 120	62	600	420
ST78CP	800 x 450 x 120	62	600	420
ST78MW	800 x 450 x 120	75	600	420
ST60	430 x 600 x 120	44	230	570
ST95	530 x 800 x 120	73	330	770
ST85	1060 x 450 x 120	80	860	420
ST80	1060 x 600 x 120	102	860	570

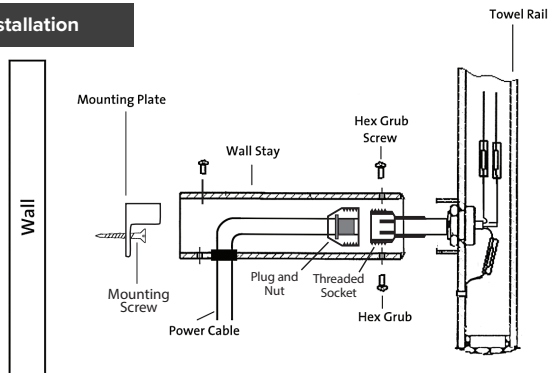
Power Supply : 230 Volt AC, 50Hz

International Protection Rating: IP45

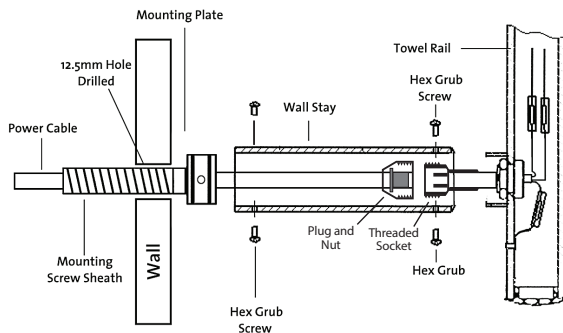


# INSTALLATION OPTIONS

## Exposed Wiring Kit Installation



## Concealed Wiring Kit Installation



## Top Leg Installation

