



# EVOKE & MOTIVO TAPWARE RANGE

INSTALLATION, PRODUCT CARE & WARRANTY

HIGH RISE BASIN MIXER - ET6102 & MT8102



## **Thank you for purchasing Newtech Tapware.**

Your Newtech Tapware has been crafted using high quality durable stainless steel and will have a long lasting and productive life, provided it is used in accordance with manufacturers general conditions.

**Your Newtech Tapware must be installed by a registered plumber.**

### **CARE OF YOUR NEWTECH TAPWARE**

To clean, use water with a soft damp cloth. Any harsh scrubbing or scratching of the product surface is strictly prohibited, same to the use of any cleaning products which contain acid or any corrosive agents.

### **WARRANTY**

For all warranty information please refer to [www.newtech.co.nz/warranty](http://www.newtech.co.nz/warranty).

### **INSTALLATION**

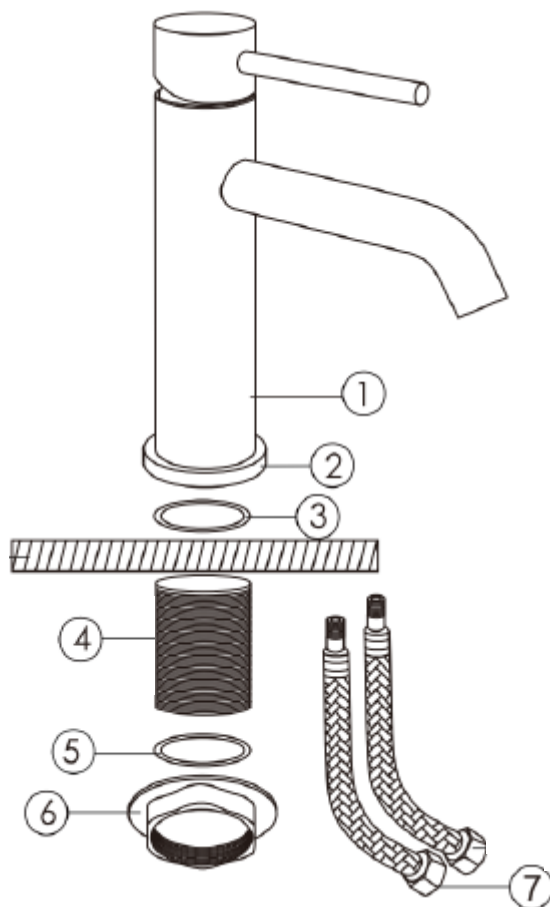
For pressure exceeding 5 bar/500kPa, install a pressure reducing valve. If a system is required to be pressure tested the water supply to the mixer must be capped off prior to testing. If a mixer has been subjected to pressures over 5 bar/500kPa then a new cartridge must be installed, at the installers/owners expense for warranty to be valid.

Thoroughly flush all pipes to eliminate any remaining dirt and residue and install inline filters and ensure water temperature does not exceed 65°C and pressure does not exceed 5 bar/500kPa. Turn off water supply before installation and check for leaks after every installation. Failure to do so may void warranty.

### **CONTACT US**

Phone 0800 728 662 Email [sales@newtech.co.nz](mailto:sales@newtech.co.nz)

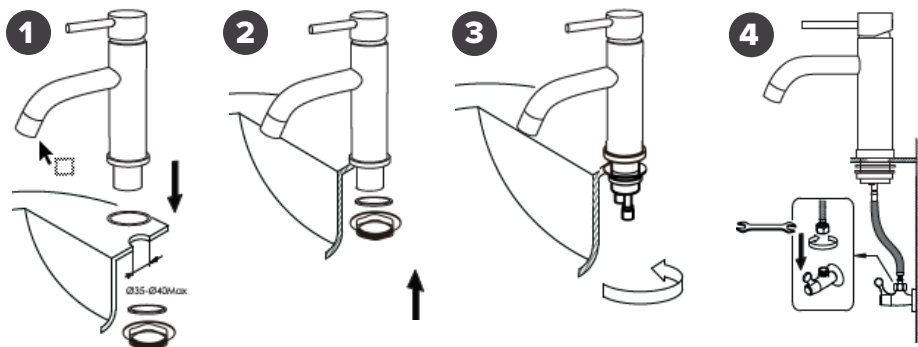
# INSTALLATION INSTRUCTIONS



No.	Part Name
1	Main Body
2	Cover Plate
3	Rubber O-Ring
4	Thread Pipe
5	Rubber Cushion
6	Big Nut
7	Water Hoses

# INSTALLATION INSTRUCTIONS

**IMPORTANT NOTE:** Before starting installation of your tap, turn off the water supply. Make sure there is a 35-40mm hole on the basin/slab top before you install the tap.



No.	Instruction
1	Unscrew the fixing set from the bottom of the body, then get the body through the hole. Don't forget to fix the o-ring seal between the bottom of the body and the basin/slab top.
2	Screw up the fixing set to the mixer below the basin making sure the rubber cushion goes between the bottom of the basin/slab top and the nut.
3	Use a hand tool to screw up the nut. Then use the install tool to strengthen the fixing. Flush all pipes thoroughly to eliminate any remaining dirt and residue and install the inline filters.
4	Connect the supply hoses to the plumbing connections. Red is for connecting to the hot water and blue is for connecting to the cold water. Minimum bend for flexible hose is 35mm radius. Do not twist, stretch, or crush the hoses.
5	Turn on mains supply and check for any leaks.

## TECHNICAL SPECIFICATIONS

Suitable for Mains Pressure Only

Minimum Pressure = 150kPa

Maximum Operating Pressure = 500kPa (As per NZ Building Code AS/NZ 3500.1)

Maximum Operating Temperature = 65°C

Minimum bend for flexible hose is 35mm radius. Do not twist, stretch or crush the hoses.

35-40 mm hole in basin/slab top to install tap.

**For Domestic use only**