

SPECIFICATION SHEET

900 Angolo Curved Wall Hung Vanity (1 Drawer)

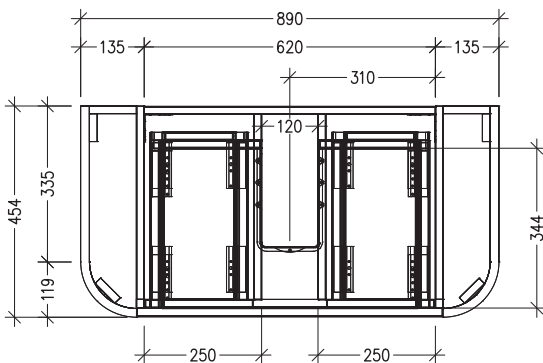
Newtech Code: 12003



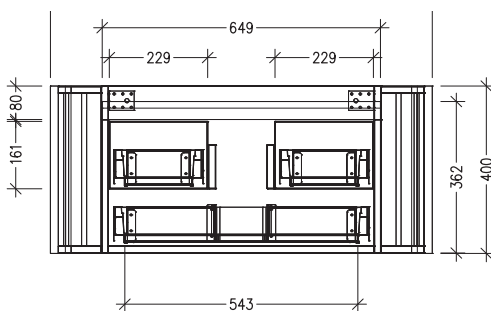
Features

- 1 Drawer
- Soft close Hettich drawer runners
- Drawers with handle or negative detail
- Made of Oak Veener on Birch Ply
- Internal Carcass Option
Matte White - Standard
Anthracite - Upgrade cost applies
- Dimensions: H420 x W900 x D465

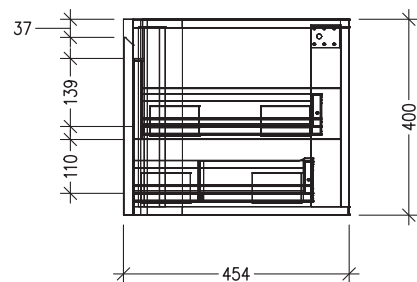
Technical Details



TOP VIEW



FRONT VIEW



SIDE VIEW

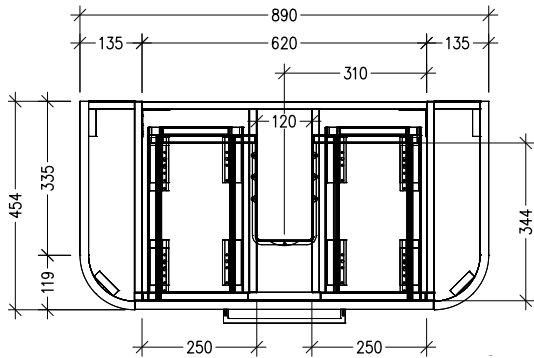
Note: Drawings shown are for negative detail cabinets, for handle cabinets please refer to page 2

SPECIFICATION SHEET

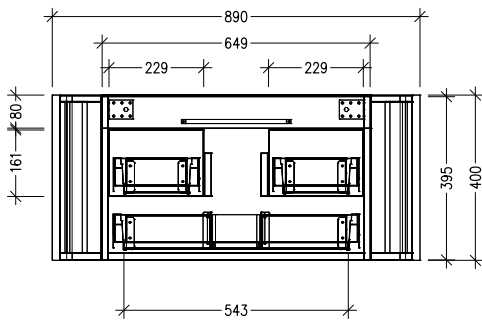
900 Angolo Curved Wall Hung Vanity (1 Drawer) with cosmetic drawers

Newtech Code: COSLR, COSL, COSR

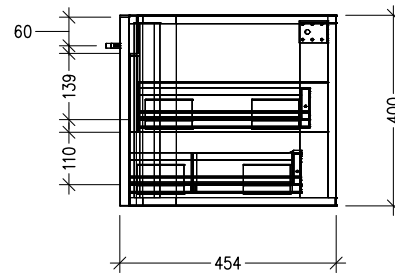
Technical Details



TOP VIEW



FRONT VIEW



SIDE VIEW

Note: Drawings shown are for COSLR. When COSL or COSR is selected please ignore the opposite cosmetic drawer in the drawing as the opposite side would be a full depth drawer.