

**Linear Slot Diffuser**

Code: 8168 (600mm), 8170 (780mm)

exclusive to Newtech



An internal linear diffuser in two lengths designed for use with ducted inline ventilation systems. It has a streamlined, minimal appearance and sits discreetly on the ceiling, ensuring that the aesthetic qualities of a space are not compromised.

**Warranty**

- 5 years

**Features and Benefits**

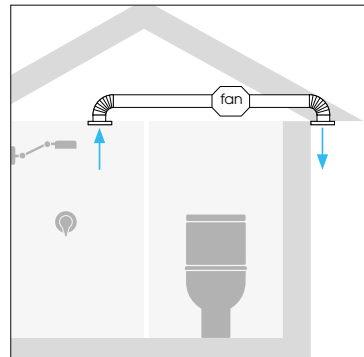
- Provides a minimal and unobtrusive air channelling solution.
- Slimline face-plate for a discreet look.
- Powder coated plenum box with 150mm diameter spigot for duct connection.
- Removable face plate for easy cleaning and maintenance.

**Manufacturer**



**Applications and Installation**

- Designed for use with ducted inline ventilation and air-conditioning systems
- Suitable for supply air and exhaust applications
- Quick-fit snap in clips ensure fast and simple installation



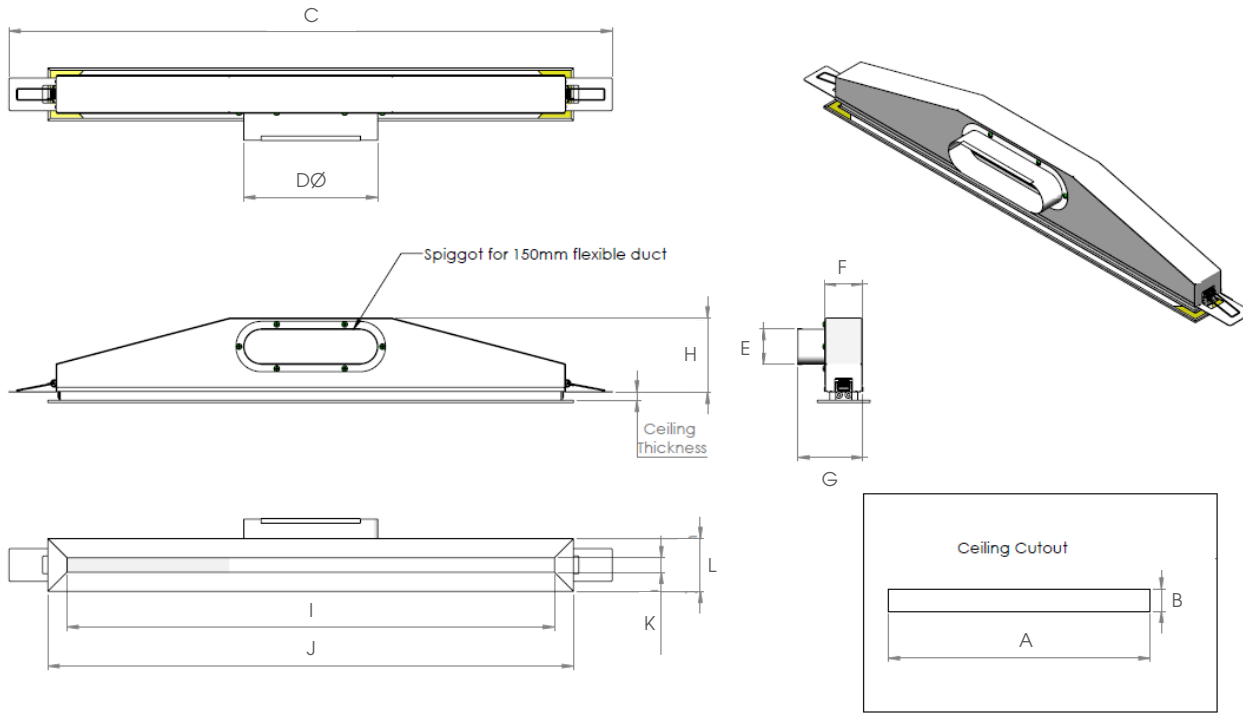
# INFORMATION SHEET

## Linear Slot Diffuser

Code: 8168 (600mm), 8170 (780mm)

exclusive to Newtech

### Dimensions / set out



Model	Cut out		Plenum Box						Facia			
	A	B	C	D	E	F	G	H	I	J	K	L
1LSG600	580	65	695	197	53	67	106	118	537	598	22	78
1LSG780	770	65	888	197	53	57	96	110	718	775	22	78