

# INSTALLATION INSTRUCTIONS

## Linear Slot Diffuser

Code: 8168 (600mm), 8170 (780mm)

expella™  
**VENTILATION**  
SERIES

exclusive to Newtech



### PARTS INCLUDED:

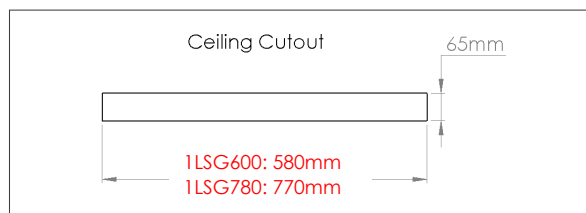
Description	Qty
Facia (780B)	1
Facia (600B)	1
Plenum Box (780B)	1
Plenum Box (600B)	1
Spigot, Oval (150mm flex duct)	1
Screw, Button Head Cap, M5 x 16	1

## INSTALLATION

### Rough-in

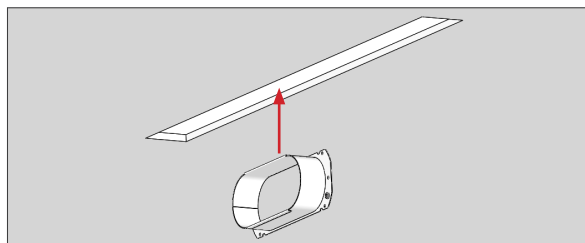
Install inline fan system with 150mm flexible ducting routed from the intake of the fan to the location of the Linear Slot Grille. Allow a small amount of additional ducting.

#### 1. Cut ceiling

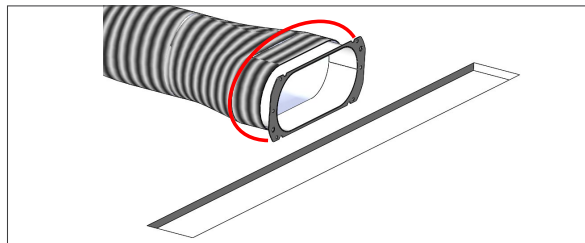


**WARNING:** Check for clearance of ceiling framing.

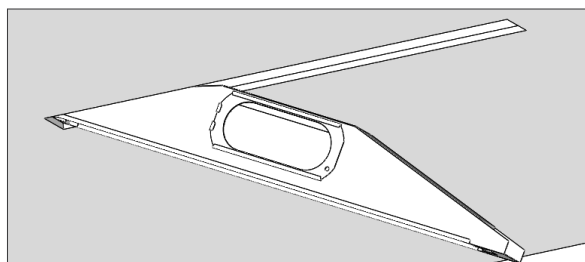
#### 2. Feed spigot into ceiling cavity, through hole



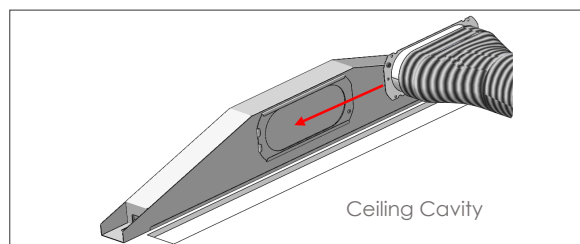
#### 3. Connect duct to spigot using duct tape and cable tie



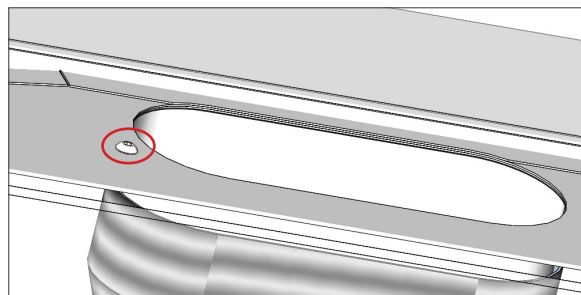
#### 4. Feed plenum box into ceiling cavity, through hole



#### 5. Connect spigot to plenum box

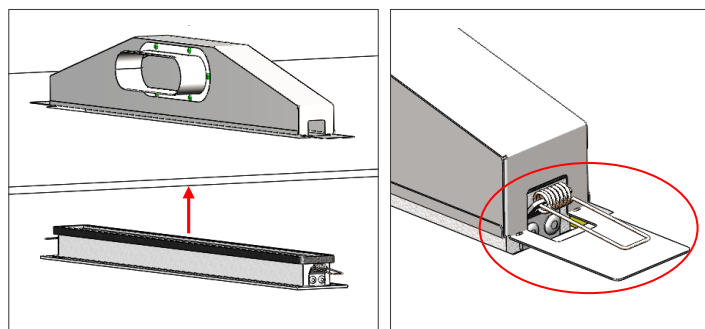


#### 6. Secure spigot to plenum with M5 screw



#### 7. Install facia into plenum.

Fold up spring. Feed spring through opening in plenum. Release the spring to engage the facia into the plenum.

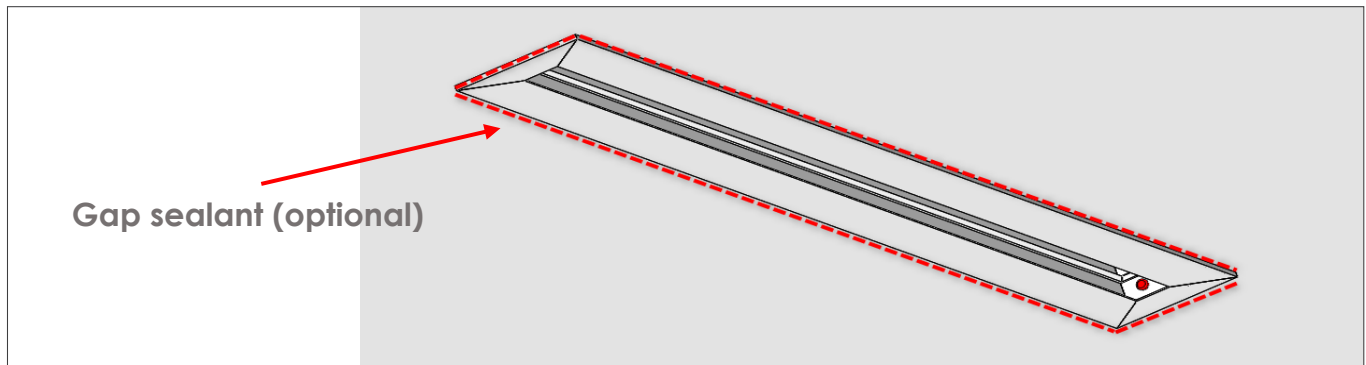


## Linear Slot Diffuser

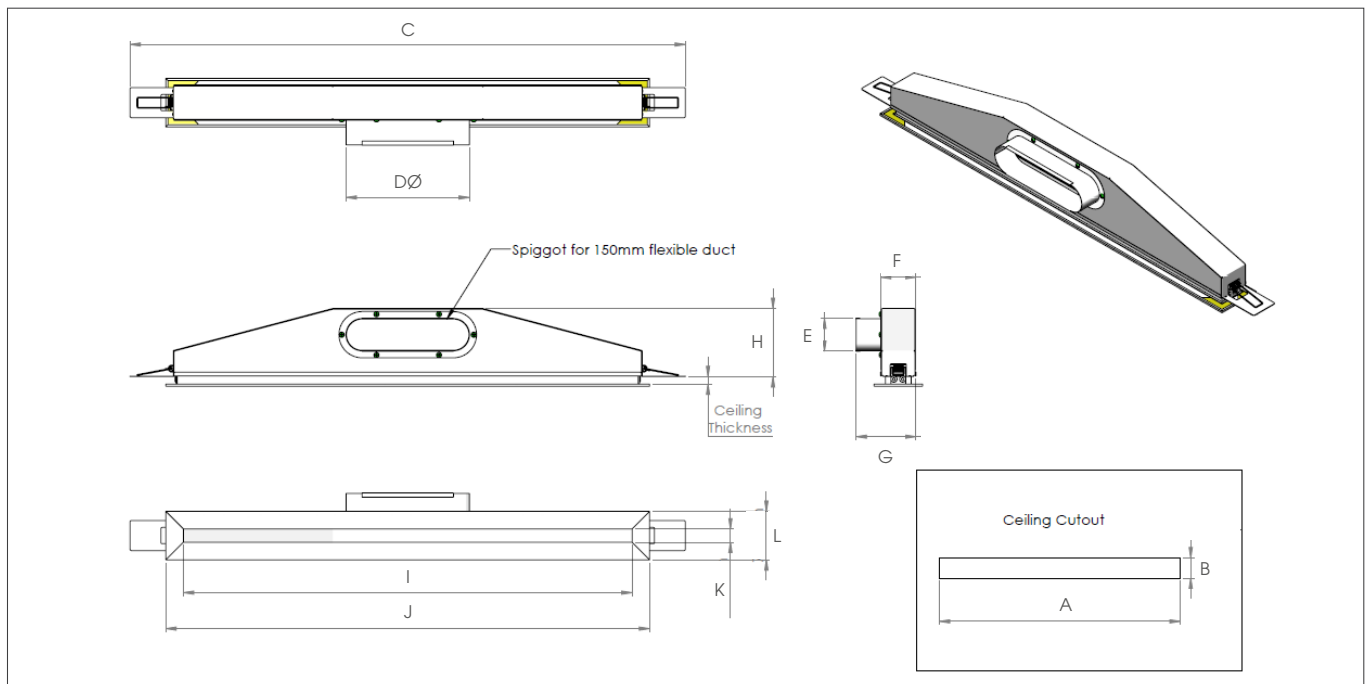
Code: 8168 (600mm), 8170 (780mm)

### 8. Seal Gap (optional)

For a premium finish, use a small bead of gap sealant (colour to match ceiling) where the facia meets the ceiling.



## DIMENSIONS



Model	Cut out		Plenum Box						Facia			
	A	B	C	D	E	F	G	H	I	J	K	L
600mm	580	65	695	197	53	67	106	118	537	598	22	78
780mm	770	65	888	197	53	57	96	110	718	775	22	78

## WARRANTY

2 year warranty from date of purchase

## CONTACT US