

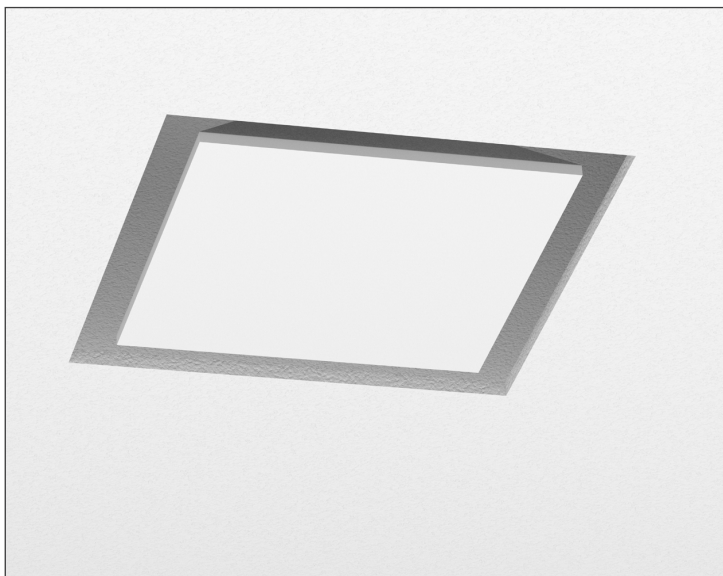
INSTALLATION INSTRUCTIONS

Shadowline Square Diffuser

Code: 8164

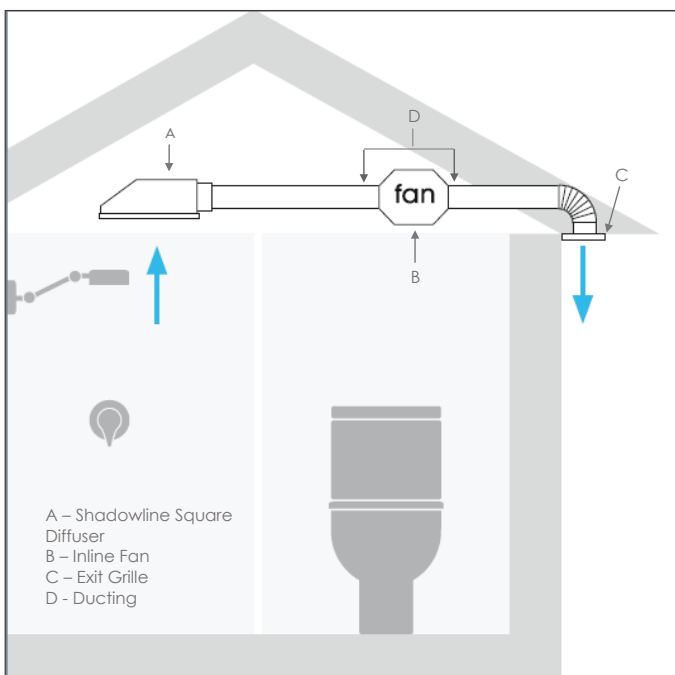
expella™
VENTILATION
SERIES

exclusive to Newtech



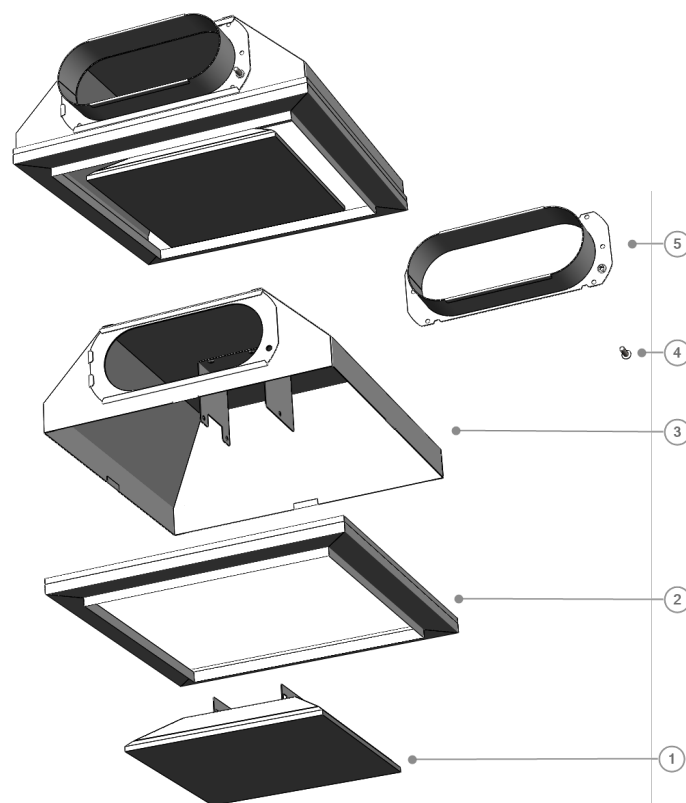
PRODUCT OVERVIEW

The Shadowline Square Diffuser is an internal ceiling grille that allows air to be channelled through the ventilation system. This product is designed to be discreet – almost invisible, sitting inside the ceiling cavity, with a square slot set into the ceiling allowing air extraction from a domestic wet room.



*Product includes grille only. Fan and duct sold separately.
Contact Newtech for details.

PACKAGE CONTENTS



Item	Description
1	Centre Panel
2	Ceiling Frame
3	Plenum
4	Screw for Spigot, M5 Socket Head
5	Spigot, Oval (150mm Flex)
6	Screws, 8g x 20, Qty 4

INSTALLATION INSTRUCTIONS

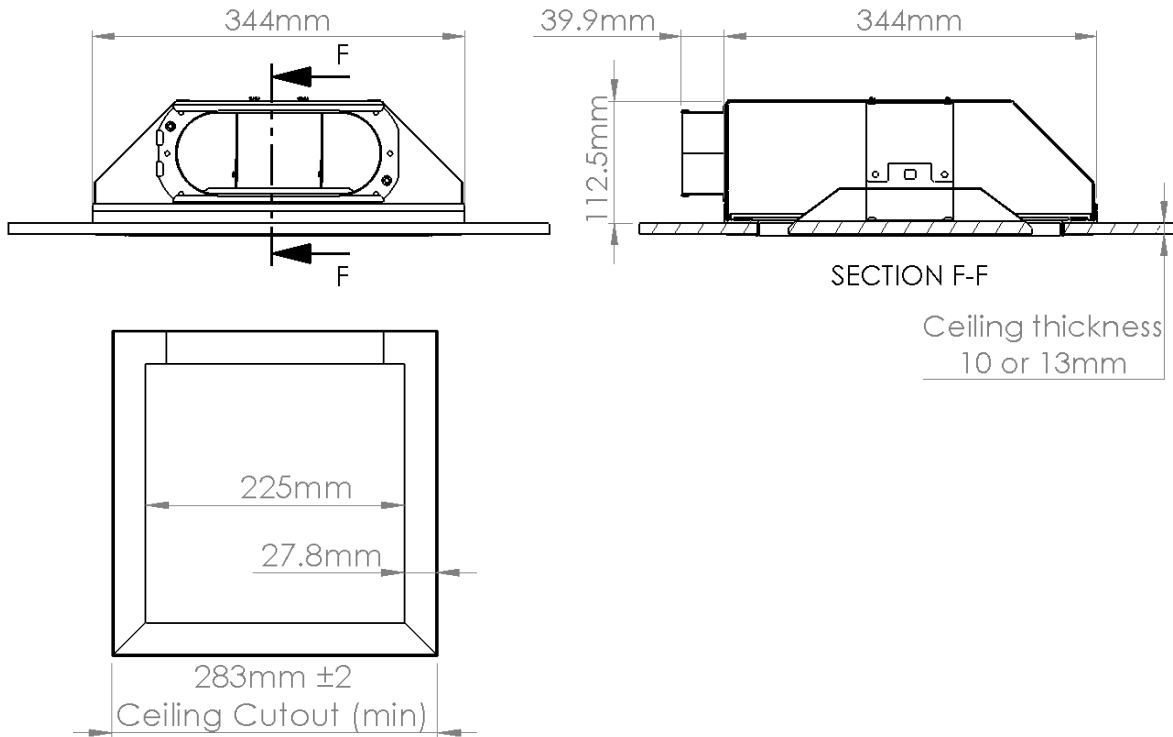
Shadowline Square Diffuser

Code: 8164

expella™
VENTILATION
SERIES

exclusive to Newtech

DIMENSIONS



INSTALLATION

The Newtech Shadowline Square diffuser should be installed by qualified tradespeople.

Tools/fasteners requires

- Tape measure
- Set Square
- Gyprock saw
- Allen Key Set
- Cordless Drill (3.2mm drill bit)
- Impact driver (Phillip's bit)
- General Plastering equipment
- Equipment included when purchased as an exhaust kit
 - Large cable tie
 - Duct Tape
 - 150mm Flexible Duct

Choose Ceiling Location

- Close to source of moisture (e.g. shower or clothes drier)
- Suitable clearance for diffuser – away from ceiling framework and other services

Install Fan

Install ducted inline fan (as instructed in fan manual). Route ducting to the diffuser location. The diffuser requires 150mm flexible ducting for connection to the diffuser spigot.

Rough-in Diffuser

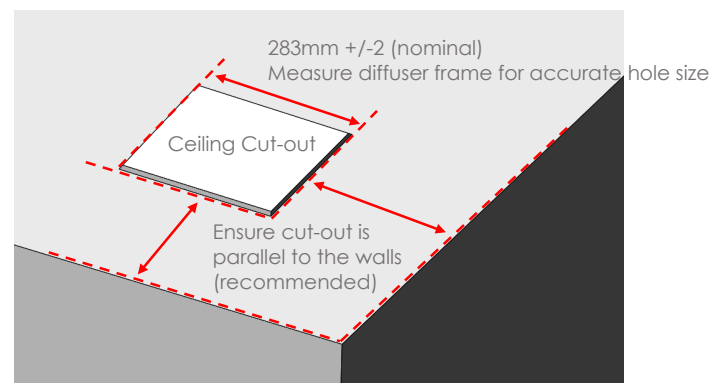
Important:

Depending on the ceiling cavity height, the diffuser may be required to be located in the cavity prior to the ceiling sheet installation

- For ceiling cavity heights **greater than 350mm**, the diffuser can be installed **after the ceiling is fitted**. It can be fed through the hole required for mounting the diffuser
- For ceiling cavity heights **less than 350mm**, locate the complete diffuser inside the cavity **prior to sheeting the ceiling**.

Cut Ceiling Sheet

Mark and cut the ceiling hole. Measure the diffuser frame for accurate hole size



INSTALLATION INSTRUCTIONS

Shadowline Square Diffuser

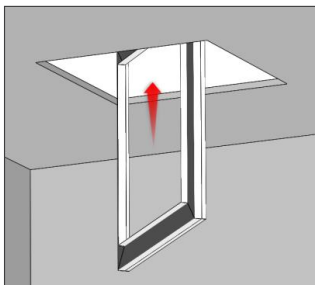
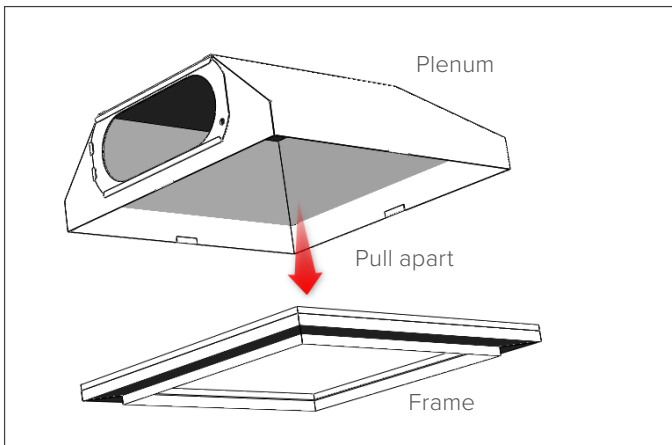
Code: 8164

expella™
VENTILATION
SERIES

exclusive to Newtech

Install the diffuser frame

Detach frame from diffuser plenum



If the diffuser is located inside the ceiling cavity, access it through ceiling hole, and detach frame.

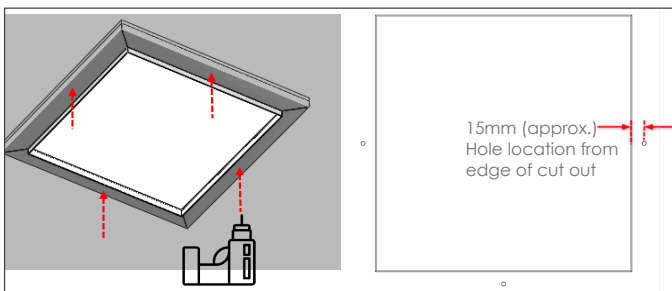
Alternatively, feed the frame through the ceiling hole as shown below

Important:

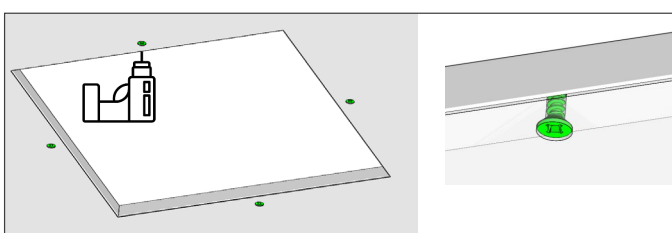
For the centre panel to align with the finished ceiling, the frame must sit FLUSH on the top side of the ceiling. Ensure top surface of ceiling is free from bumps or debris prior to installing frame.

Fit frame in ceiling hole

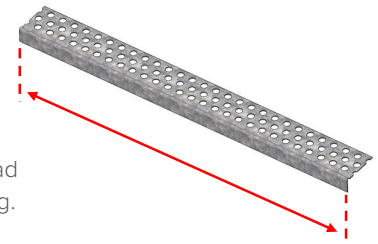
Drill 4 x pilot hole – 3.2mm through both ceiling sheet and diffuser frame



Use impact driver to secure with 4 x screws (8g x 20 countersunk)

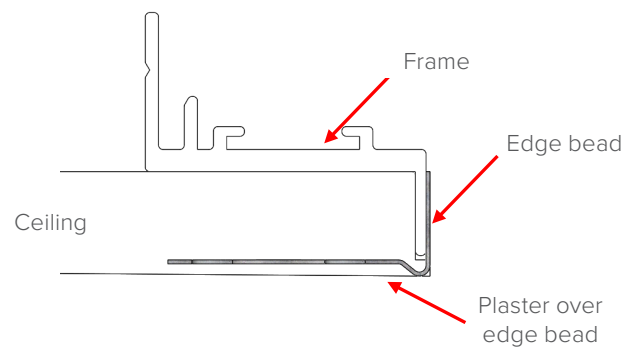
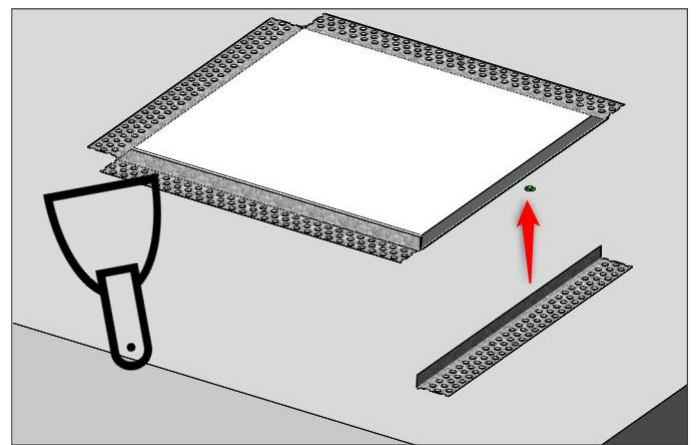


Install Gyprock Edge Bead (Not Supplied)



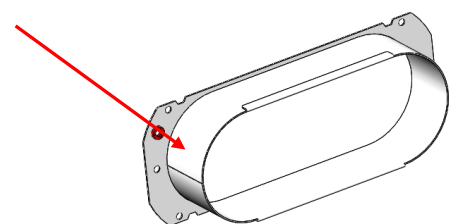
Cut length of edge bead to match frame opening. For best result, gaps should be minimal

Install 4x edge beads to ceiling opening. Fasten and set into ceiling as per standard plastering practices.



Connect to exhaust system

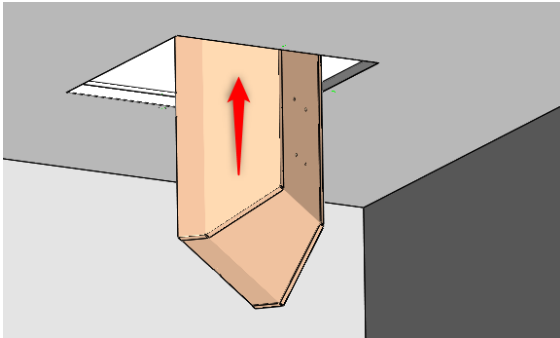
Connect the Shadowline Diffuser spigot to the flexible ducting (150mm) coming from the inline exhaust fan. Use a cable tie to deform the duct to the spigot shape. Seal the duct to the spigot with suitable duct tape (we recommend silver tape).



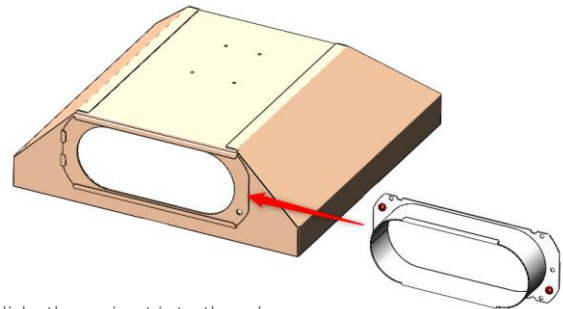
Shadowline Square Diffuser

Code: 8164

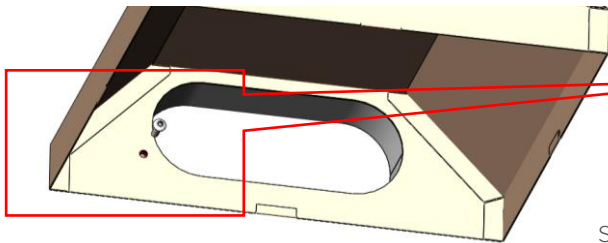
exclusive to Newtech



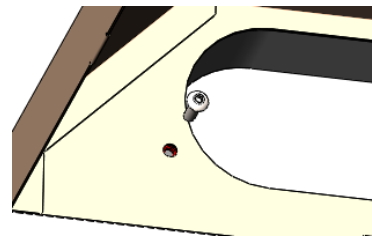
If plenum is outside cavity, feed through ceiling hole.



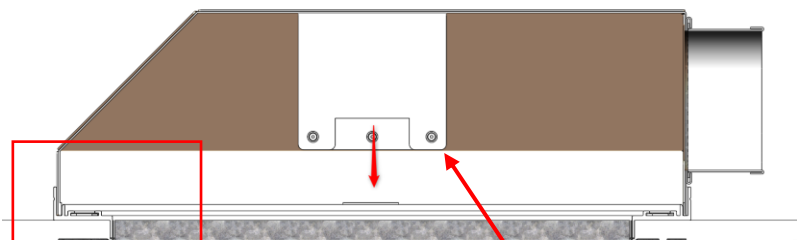
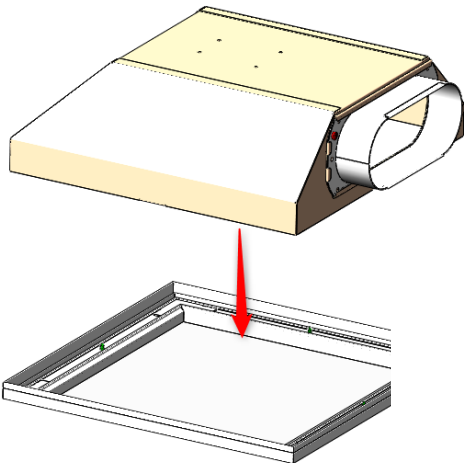
Slide the spigot into the plenum



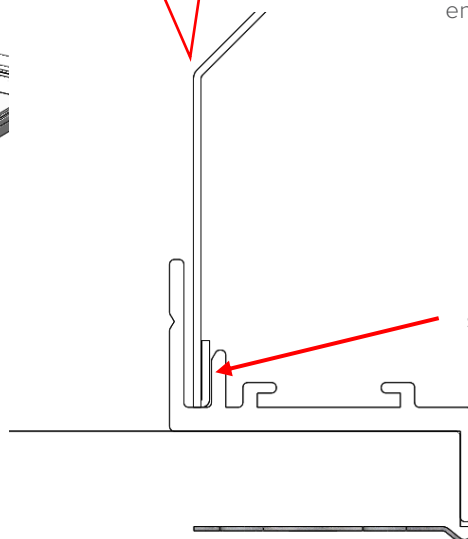
Secure the spigot with the supplied M5 socket head screw.
Screw from inside the plenum



Connect to exhaust system



Use bracket to pull plenum and engage into frame



Ensure plenum is completely seated in frame

INSTALLATION INSTRUCTIONS

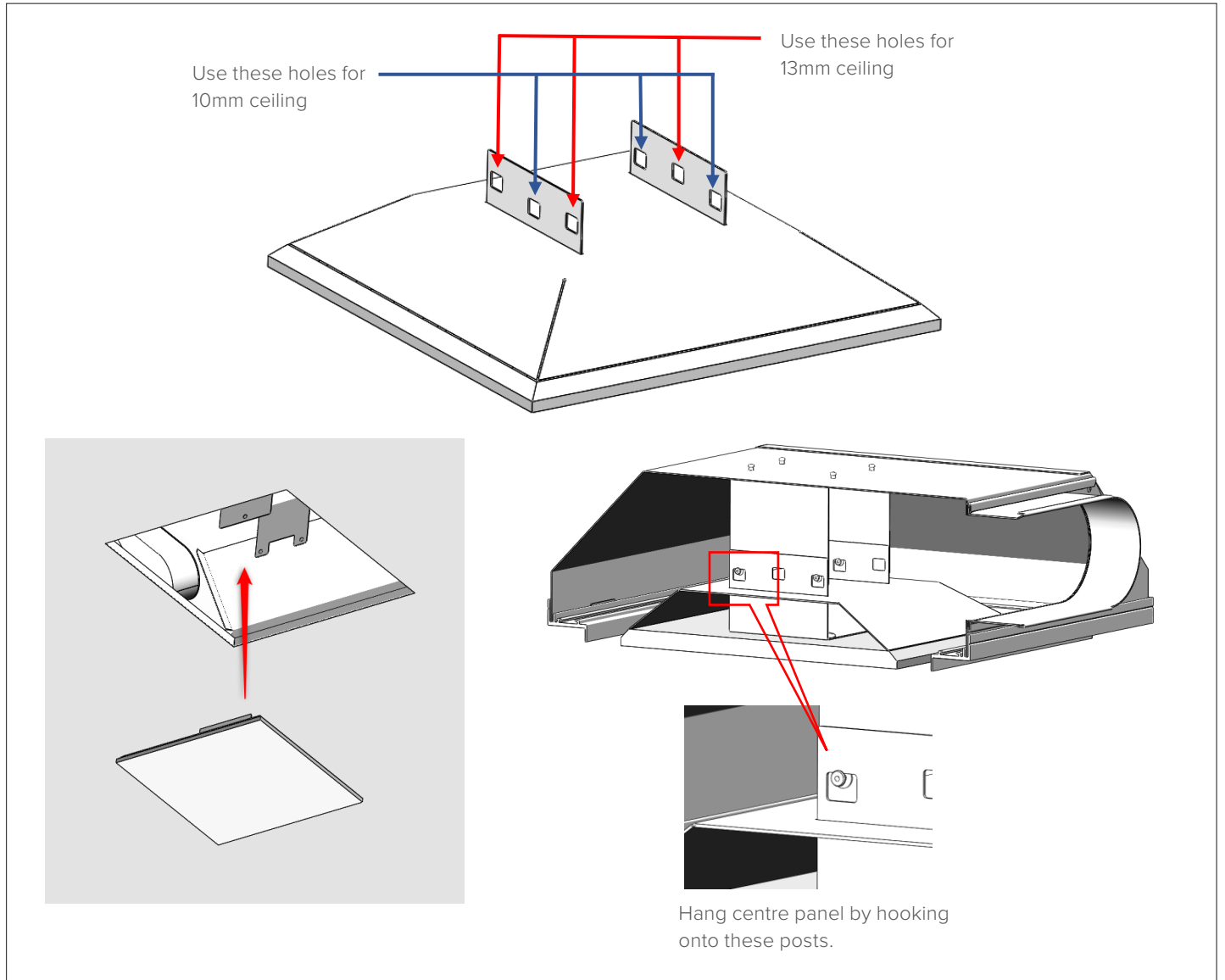
Shadowline Square Diffuser

Code: 8164

exclusive to Newtech

Install Centre Panel

The centre panel can be hung in two orientations – one for 10mm thick ceiling sheet and one for 13mm thick ceiling sheet. Depending on your ceiling, use the square holes in the centre panel bracket indicated below. Rotate panel 180 deg to select alternate hole set. Centre panel is primed and ready for final paint finish.



Turn on exhaust system and check airflow. Ensure there are no obstructions in the ductwork.

MAINTENANCE/CLEANING

Remove centre panel for periodic cleaning. Clean with vacuum and dusting cloth.

WARRANTY

2 year warranty from date of purchase

CONTACT US