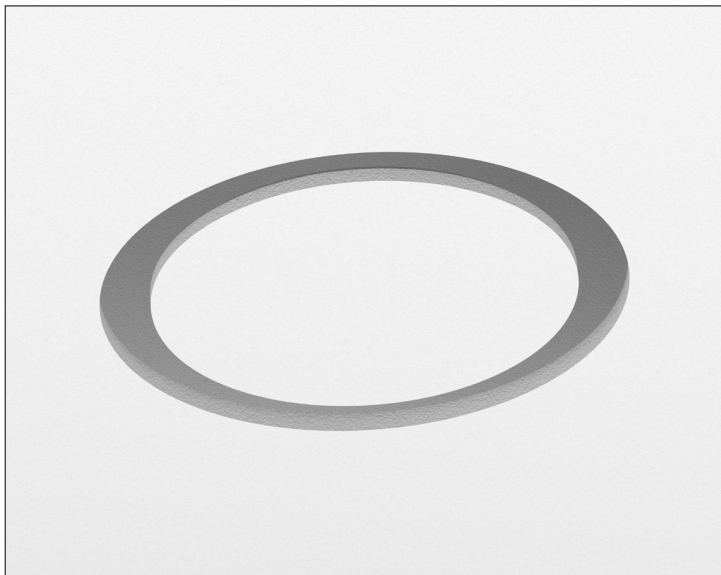


Shadowline Round Diffuser

Code: 8162

exclusive to Newtech



The Shadowline Round Diffuser is a discreet, flangeless internal ceiling grille that allows air to be channelled through ventilation or air conditioning systems. The diffuser has a round profile with a primed centre panel that is ready for painting, resulting in a finish that blends seamlessly with the ceiling.

Warranty

- 5 years

Features and Benefits

- Set into ceiling for seamless and discreet look
- Designed for optimal airflow and efficiency
- Primed centre panel ready for painting to provide consistent finish with ceiling
- Acts as a service panel for in ceiling services
- Low profile for restricted ceiling space
- Designed and assembled in Australia

Options

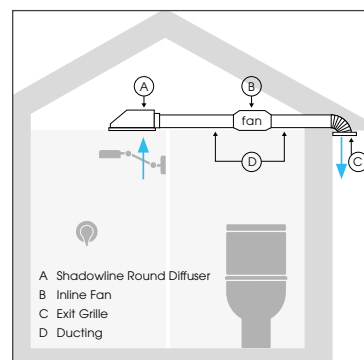
Insulated option for ducted air conditioning systems

Manufacturer

expella™

Applications

- To be used in conjunction with an inline fan such as the AXCTP (recommended) and ducting.
- Suitable for interior applications including:
 - Bathroom exhaust
 - Laundries
 - General kitchen ventilation
- Can be installed by a home handyman or industry professional (electrician or air-conditioning installer)



INFORMATION SHEET

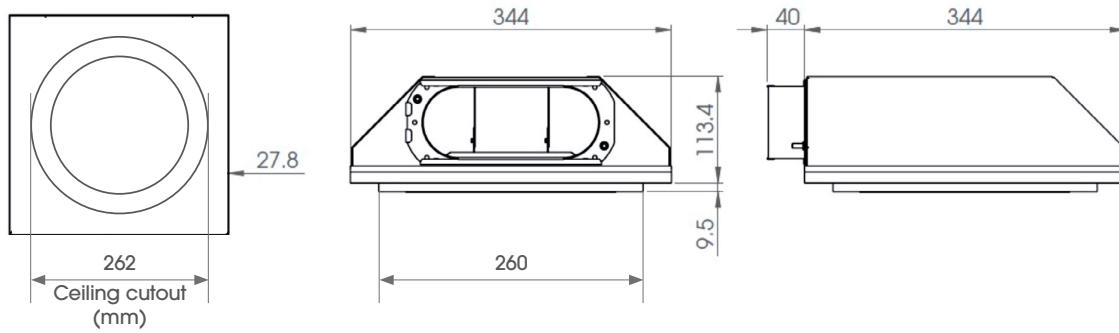
Shadowline Round Diffuser

Code: 8162

expella™
VENTILATION
SERIES

exclusive to Newtech

Product Detail



Performance

Shadowline Wall Diffuser

